

## 16/32-Bit RISC Flash Microcontroller

### FEATURES

- High-Performance Static CMOS Technology
- TMS470R1x 16/32-Bit RISC Core (ARM7TDMI™)
  - 24-MHz System Clock (48-MHz Pipeline)
  - Independent 16/32-Bit Instruction Set
  - Open Architecture With Third-Party Support
  - Built-In Debug Module
- Integrated Memory
  - 384K-Byte Program Flash
    - Three Banks With 18 Contiguous Sectors
  - 32K-Byte Static RAM (SRAM)
- Operating Features
  - Core Supply Voltage ( $V_{CC}$ ): 1.71 V to 2.05 V
  - I/O Supply Voltage ( $V_{CCIO}$ ): 3.0 V to 3.6 V
  - Low-Power Modes: STANDBY and HALT
  - Extended Industrial Temperature Range
- 470+ System Module
  - 32-Bit Address Space Decoding
  - Bus Supervision for Memory/Peripherals
  - Analog Watchdog (AWD) Timer
  - Enhanced Real-Time Interrupt (RTI)
  - Interrupt Expansion Module (IEM)
  - System Integrity and Failure Detection
- Direct Memory Access (DMA) Controller
  - 32 Control Packets and 16 Channels
- Zero-Pin Phase-Locked Loop (ZPLL)-Based Clock Module With Prescaler
  - Multiply-by-4 or -8 Internal ZPLL Option
  - ZPLL Bypass Mode
- Expansion Bus Module (EBM) (PGE Package)
  - Supports 8- and 16-Bit Expansion Bus Memory Interface Mappings
  - 40 I/O Expansion Bus Pins
- Ten Communication Interfaces:
  - Two Serial Peripheral Interfaces (SPIs)
    - 255 Programmable Baud Rates
  - Two Serial Communication Interfaces (SCIs)
    - 2<sup>24</sup> Selectable Baud Rates
    - Asynchronous/Isosynchronous Modes
  - Two Standard CAN Controllers (SCC)
    - 16-Mailbox Capacity
    - Fully Compliant With CAN Protocol, Version 2.0B
  - Class II Serial Interface B (C2SIb)
    - Normal 10.4 Kbps and 4X Mode 41.6 Kbps
  - Three Inter-Integrated Circuit (I2C) Modules (See I2C Notes in *TMS470R1A384 Silicon Errata*, Literature Number [SPNZ148](#))
    - Multi-Master and Slave Interfaces
    - Up to 400 Kbps (Fast Mode)
    - 7- and 10-Bit Address Capability
- High-End Timer (HET)
  - 12 Programmable I/O Channels:
    - 12 High-Resolution Pins
  - High-Resolution Share Feature (XOR)
  - High-End Timer RAM
    - 64-Instruction Capacity
- External Clock Prescale (ECP) Module
  - Programmable Low-Frequency External Clock (CLK)
- 12-Channel 10-Bit Multi-Buffered Analog-to-Digital Converter (MibADC)
  - 32-Word FIFO Buffer
  - Single- or Continuous-Conversion Modes
  - 1.55- $\mu$ s Minimum Sample/Conversion Time
  - Calibration Mode and Self-Test Features
- 55 Dedicated General-Purpose I/O (GIO) Pins and 39 Additional Peripheral I/Os (PGE)
- 14 Dedicated General-Purpose I/O (GIO) Pins and 39 Additional Peripheral I/Os (PZ)
- Flexible Interrupt Handling
- Eight External Interrupts



Please be aware that an important notice concerning availability, standard warranty, and use in critical applications of Texas Instruments semiconductor products and disclaimers thereto appears at the end of this data sheet.

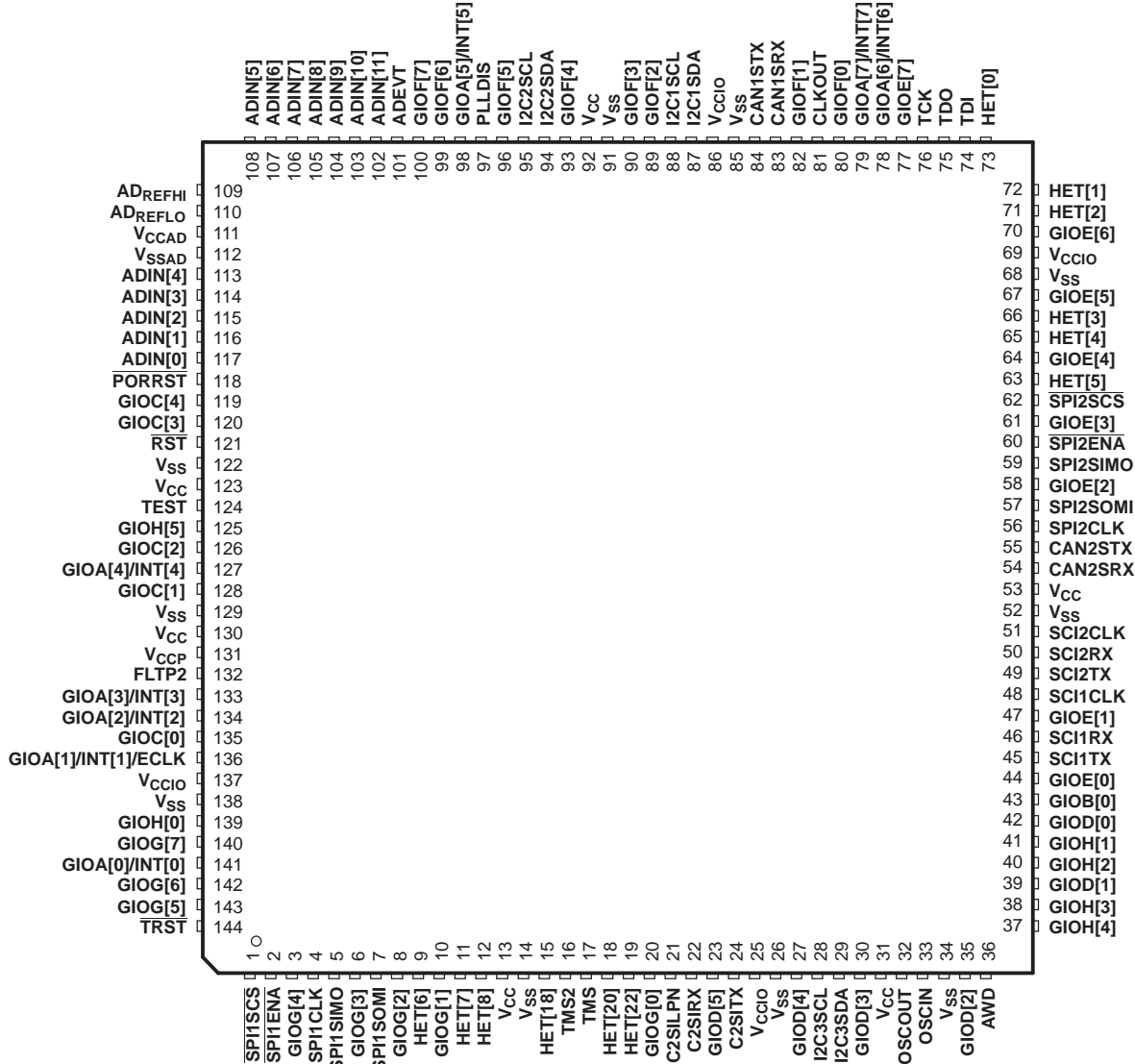
ARM7TDMI is a trademark of Advanced RISC Machines Limited (ARM).  
All other trademarks are the property of their respective owners.

- On-Chip Scan-Base Emulation Logic, IEEE Standard 1149.1<sup>(1)</sup> (JTAG) Test-Access Port
- 144-Pin Plastic Low-Profile Quad Flatpack (PGE Suffix)

- 100-Pin Plastic Low-Profile Quad Flatpack (PZ Suffix)

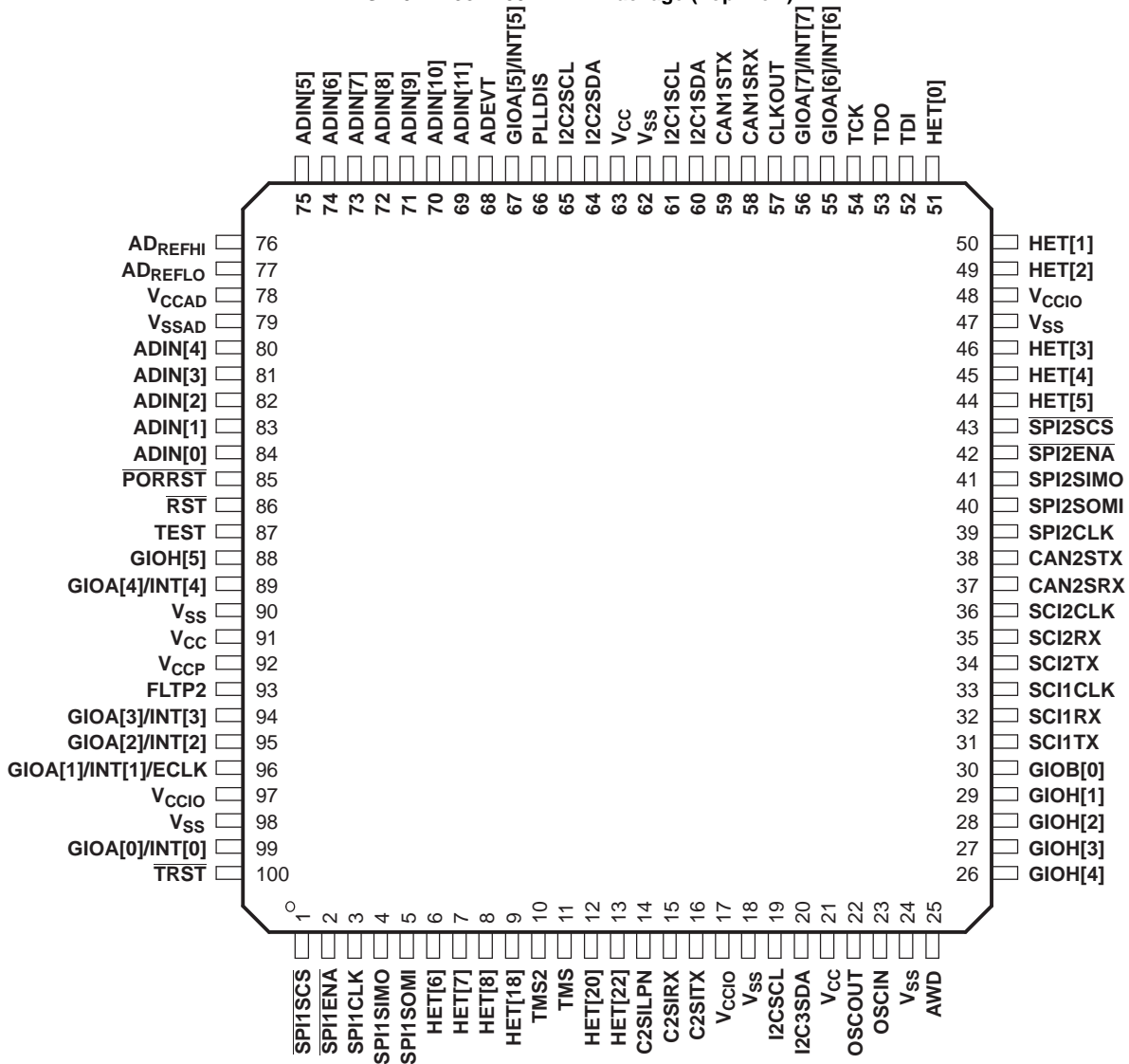
(1) The test-access port is compatible with the IEEE Standard 1149.1-1990, IEEE Standard Test-Access Port and Boundary Scan Architecture specification. Boundary scan is not supported on this device.

TMS470R1A384 144-Pin PGE Package (Top View) (Without Expansion Bus)





TMS470R1A384 100-Pin PZ Package (Top View)



## DESCRIPTION

The TMS470R1A384<sup>(1)</sup> devices are members of the Texas Instruments TMS470R1x family of general-purpose 16/32-bit reduced instruction set computer (RISC) microcontrollers. The A384 microcontroller offers high performance utilizing the high-speed ARM7TDMI 16/32-bit RISC central processing unit (CPU), resulting in a high instruction throughput while maintaining greater code efficiency. The ARM7TDMI 16/32-bit RISC CPU views memory as a linear collection of bytes numbered upwards from zero. The A384 utilizes the big-endian format where the most significant byte of a word is stored at the lowest-numbered byte and the least significant byte at the highest-numbered byte.

High-end embedded control applications demand more performance from their controllers while maintaining low costs. The A384 RISC core architecture offers solutions to these performance and cost demands while maintaining low power consumption.

The A384 devices contain the following:

- ARM7TDMI 16/32-bit RISC CPU
- TMS470R1x system module (SYS) with 470+ enhancements
- 384K-byte flash
- 32K-byte SRAM
- Zero-pin phase-locked loop (ZPLL) clock module
- Analog watchdog (AWD) timer
- Enhanced real-time interrupt (RTI) module
- Interrupt expansion module (IEM)
- Two serial peripheral interface (SPI) modules
- Two serial communications interface (SCI) modules
- Two standard CAN controllers (SCC)
- Three inter-integrated circuit (I2C) modules
- Class II serial interface B (C2S1b) module
- 10-bit multi-buffered analog-to-digital converter (MibADC), with 12 input channels
- High-end timer (HET) controlling 12 I/Os
- External clock prescale (ECP)
- Expansion bus module (EBM)
- Up to 87 I/O pins and 1 input-only pin (PGE suffix only), up to 51 I/O pins and 1 input-only pin (PZ suffix only)

The functions performed by the 470+ system module (SYS) include:

- Address decoding
- Memory protection
- Memory and peripherals bus supervision
- Reset and abort exception management
- Prioritization for all internal interrupt sources
- Device clock control
- Parallel signature analysis (PSA)

The enhanced real-time interrupt (RTI) module on the A384 has the option to be driven by the oscillator clock. This data sheet includes device-specific information such as memory and peripheral select assignment, interrupt priority, and a device memory map. For a more detailed functional description of the SYS module, see the *TMS470R1x System Module Reference Guide* (literature number SPNU189).

The A384 memory includes general-purpose SRAM supporting single-cycle read/write accesses in byte, half-word, and word modes.

The flash memory on this device is a nonvolatile, electrically erasable and programmable memory implemented with a 32-bit-wide data bus interface. The flash operates with a system clock frequency of up to 24 MHz. When in pipeline mode, the flash operates with a system clock frequency of up to 48 MHz. For more detailed information on the flash, see the *Flash* section of this data sheet and the *TMS470R1x F05 Flash Reference Guide* (literature number SPNU213).

(1) Throughout the remainder of this document, the TMS470R1A384 is referred to as either the full device name or as A384.

The A384 device has ten communication interfaces: two SPIs, two SCIs, two SCCs, a C2SI, and three I2Cs. The SPI provides a convenient method of serial interaction for high-speed communications between similar shift-register type devices. The SCI is a full-duplex, serial I/O interface intended for asynchronous communication between the CPU and other peripherals using the standard non-return-to-zero (NRZ) format. The SCC uses a serial, multimaster communication protocol that efficiently supports distributed real-time control with robust communication rates of up to 1 megabit per second (Mbps). The SCC is ideal for applications operating in noisy and harsh environments (e.g., industrial fields) that require reliable serial communication or multiplexed wiring. The C2SIb allows the A384 to transmit and receive messages on a class II network following an SAE J1850<sup>(2)</sup> standard. The I2C module is a multi-master communication module providing an interface between the A384 microcontroller and an I2C-compatible device via the I2C serial bus. The I2C supports both 100 Kbps and 400 Kbps speeds. For more detailed functional information on the SPI, SCI, and CAN peripherals, see the specific reference guides (literature numbers [SPNU195](#), [SPNU196](#), and [SPNU197](#)). For more detailed functional information on the I2C, see the *TMS470R1x Inter-Integrated Circuit (I2C) Reference Guide* (literature number SPNU223). For more detailed functional information on the C2SI, see the *TMS470R1x Class II Serial Interface B (C2SIb) Reference Guide* (literature number [SPNU214](#)).

The HET is an advanced intelligent timer that provides sophisticated timing functions for real-time applications. The timer is software-controlled, using a reduced instruction set, with a specialized timer micromachine and an attached I/O port. The HET can be used for compare, capture, or general-purpose I/O. It is especially well suited for applications requiring multiple sensor information and drive actuators with complex and accurate time pulses. The HET used in this device is the high-end timer lite. It has fewer I/Os than the usual 32 in a standard HET. For more detailed functional information on the HET, see the *TMS470R1x High-End Timer (HET) Reference Guide* (literature number SPNU199).

The A384 HET peripheral contains the XOR-share feature. This feature allows two adjacent HET high-resolution channels to be XORed together, making it possible to output smaller pulses than a standard HET. For more detailed information on the HET XOR-share feature, see the *TMS470R1x High-End Timer (HET) Reference Guide* (literature number [SPNU199](#)).

The A384 device has one 10-bit-resolution sample-and-hold MibADC. Each of the MibADC channels can be converted individually or can be grouped by software for sequential conversion sequences. There are three separate groupings, two of which can be triggered by an external event. Each sequence can be converted once when triggered or configured for continuous conversion mode. For more detailed functional information on the MibADC, see the *TMS470R1x Multi-Buffered Analog-to-Digital Converter (MibADC) Reference Guide* (literature number [SPNU206](#)).

The zero-pin phase-locked loop (ZPLL) clock module contains a phase-locked loop, a clock-monitor circuit, a clock-enable circuit, and a prescaler (with prescale values of 1–8). The function of the ZPLL is to multiply the external frequency reference to a higher frequency for internal use. The ZPLL provides ACLK to the system (SYS) module. The SYS module subsequently provides system clock (SYSCLK), real-time interrupt clock (RTICLK), CPU clock (MCLK), and peripheral interface clock (ICLK) to all other A384 device modules. For more detailed functional information on the ZPLL, see the *TMS470R1x Zero-Pin Phase-Locked Loop (ZPLL) Clock Module Reference Guide* (literature number [SPNU212](#)).

#### NOTE:

ACLK should not be confused with the MibADC internal clock, ADCLK. ACLK is the continuous system clock from an external resonator/crystal reference.

The expansion bus module (EBM) is a stand-alone module that supports the multiplexing of the GIO functions and the expansion bus interface. For more information on the EBM, see the *TMS470R1x Expansion Bus Module (EBM) Reference Guide* (literature number [SPNU222](#)).

The A384 device also has an external clock prescaler (ECP) module that, when enabled, outputs a continuous external clock (ECLK) on a specified GIO pin. The ECLK frequency is a user-programmable ratio of the peripheral interface clock (ICLK) frequency. For more detailed functional information on the ECP, see the *TMS470R1x External Clock Prescaler (ECP) Reference Guide* (literature number [SPNU202](#)).

(2) SAE Standard J1850 Class B Data Communication Network Interface.

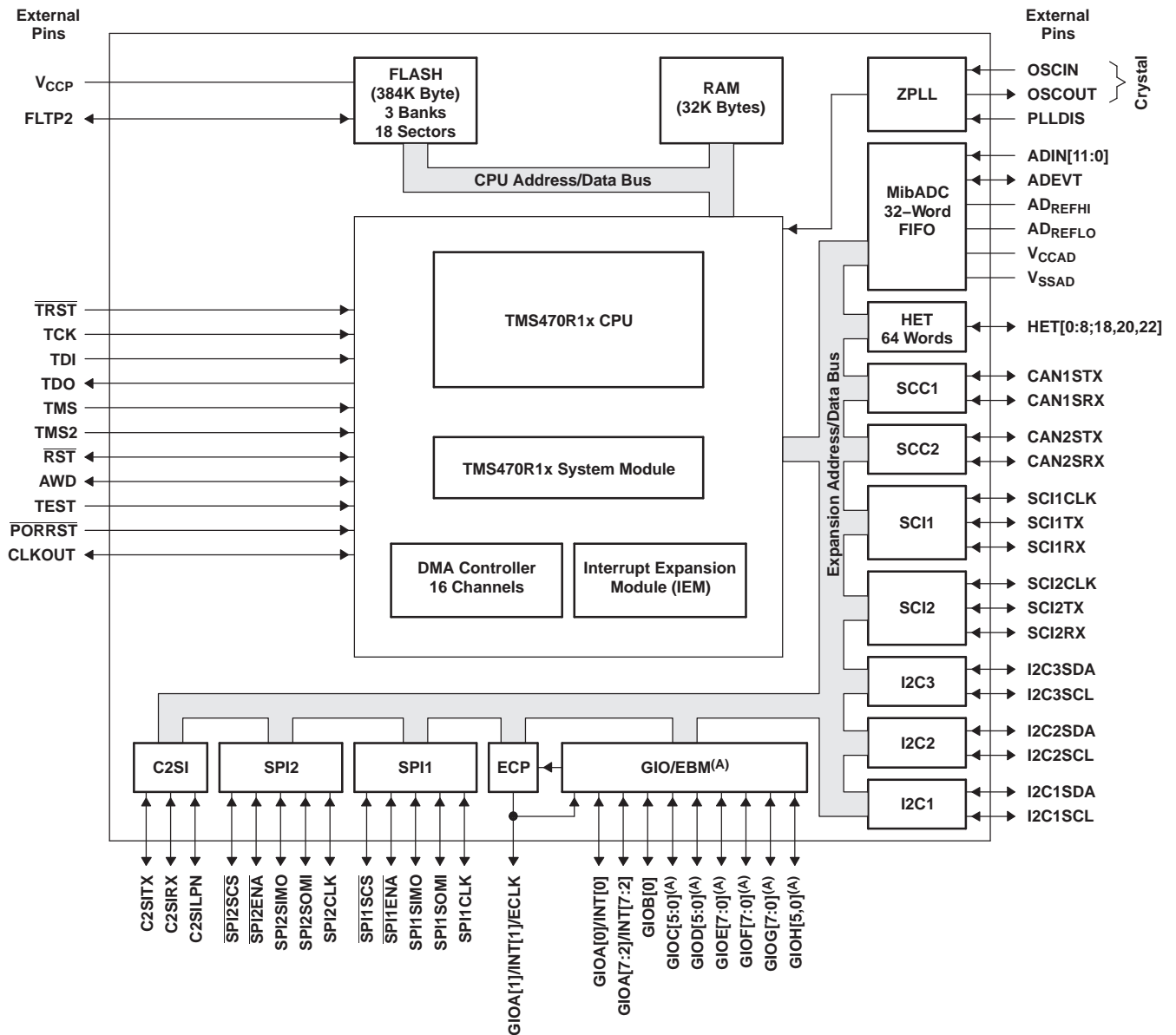
## Device Characteristics

The A384 device is a derivative of the F05 system emulation device SE470R1VB8AD. [Table 1](#) identifies all the characteristics of the A384 device except the SYSTEM and CPU, which are generic.

**Table 1. Device Characteristics**

CHARACTERISTICS	TMS470R1A384 DEVICE DESCRIPTION	COMMENTS
<b>MEMORY</b>		
For the number of memory selects on this device, see <a href="#">Table 3</a> , <i>TMS470R1A384 Memory Selection Assignment</i> .		
Internal Memory	Pipeline/non-pipeline 384K-byte flash 32K-byte SRAM	Flash is pipeline capable. The A384 RAM is implemented in one 16K-byte array selected by two memory-select signals (see <a href="#">Table 3</a> , <i>TMS470R1A384 Memory Selection Assignment</i> ).
<b>PERIPHERALS</b>		
For the device-specific interrupt priority configurations, see <a href="#">Table 6</a> , <i>Interrupt Priority (IEM and CIM)</i> . For the 1K-byte peripheral address ranges and their peripheral selects, see <a href="#">Table 4</a> , <i>A384 Peripherals, System Module, and Flash Base Addresses</i> .		
CLOCK	ZPLL	Zero-pin PLL has no external loop filter pins.
Expansion Bus	EBM	Expansion bus module with 40 pins. Supports 8- and 16-bit memories, PGE package only. See <a href="#">Table 7</a> for details.
General-Purpose I/Os	55 I/O (PGE suffix) 14 I/O (PZ suffix)	In the PGE package, Port A has 8 external pins; Port B has only 1 external pin; Ports C, D, E, F, and G each have 8 external pins; and Port H has 6 external pins. In the PZ package, Port A has 8 external pins, Port B has 1 external pin, and Port H has 5 external pins.
ECP	Yes	
SCI	2 (3-pin)	
CAN (HECC and/or SCC)	2 SCC	Two standard CAN controllers
SPI (5 pin, 4 pin, or 3 pin)	2 (5-pin)	
C2S1b	1	
I2C	3	
HET with XOR Share	12 I/O	The high-resolution (HR) Share feature allows even-numbered HR pins to share the next higher odd-numbered HR pin structures. This HR sharing is independent of whether or not the odd pin is available externally. If an odd pin is available externally and shared, then the odd pin can only be used as a general-purpose I/O. For more information on HR SHARE, see the <i>TMS470R1x High-End Timer (HET) Reference Guide</i> (literature number SPNU199).
HET RAM	64-instruction capacity	
MibADC	10-bit 12-channel 64-word FIFO	Both the logic and registers for a full 16-channel MibADC are present.
Core Voltage	1.8 V	
I/O Voltage	3.3 V	
Pins	144/100	
Packages	PGE/PZ	

Functional Block Diagram



- A. GIOC[4:0], GIOD[5:0], GIOE[5:0], GIOF[7:0], and GIOH[0], which are multiplexed with EBM, are not available on the PZ package. See [Table 7](#) for EBM-to-GIO mapping.



**Table 2. Terminal Functions**

TERMINAL			INPUT VOLTAGE <sup>(1)(2)</sup>	OUTPUT CURRENT <sup>(3)</sup>	INTERNAL PULLUP/ PULLDOWN	DESCRIPTION
NAME	PZ	PGE				
<b>HIGH-END TIMER (HET)</b>						
HET[0]	51	73	3.3 V	2 mA		Timer input capture or output compare. The HET[8:0,18,20,22] applicable pins can be programmed as general-purpose input/output (GIO) pins. All are high-resolution pins.  The high-resolution (HR) SHARE feature allows even HR pins to share the next higher odd HR pin structures. This HR sharing is independent of whether or not the odd pin is available externally. If an odd pin is available externally and shared, then the odd pin can only be used as a general-purpose I/O. For more information on HR SHARE, see the <i>TMS470R1x High-End Timer (HET) Reference Guide</i> (literature number SPNU199).
HET[1]	50	72				
HET[2]	49	71				
HET[3]	46	66				
HET[4]	45	65				
HET[5]	44	63				
HET[6]	6	9				
HET[7]	7	11				
HET[8]	8	12				
HET[18]	9	15				
HET[20]	12	18				
HET[22]	13	19				
<b>STANDARD CAN CONTROLLER (SCC)</b>						
CAN1SRX	58	83	5-V tolerant	4 mA		SCC1 receive pin or GIO pin
CAN1STX	59	84	3.3 V	2 mA		SCC1 transmit pin or GIO pin
CAN2SRX	37	54	5-V tolerant	4 mA		SCC2 receive pin or GIO pin
CAN2STX	38	55	3.3 V	2 mA		SCC 2 transmit pin or GIO pin
<b>CLASS II SERIAL INTERFACE (C2SIB)</b>						
C2SILPN	14	21	3.3 V	2 mA		C2Sib module loopback enable pin or GIO pin
C2SIRX	15	22	5-V tolerant	4 mA		C2Sib module receive data input pin or GIO pin
C2SITX	16	24	3.3 V	2 mA		C2Sib module transmit data output pin or GIO pin
<b>GENERAL-PURPOSE I/O (GIO)</b>						
GIOA[0]/INT[0]	99	141	5-V tolerant	4 mA		General-purpose input/output pins. GIOA[7:0]/INT[7:0] are interrupt-capable pins. GIOA[1]/INT[1]/ECLK pin is multiplexed with the external clock-out function of the external clock prescale (ECP) module.
GIOA[1]/INT[1]/ECLK	96	136				
GIOA[2]/INT[2]	95	134				
GIOA[3]/INT[3]	94	133				
GIOA[4]/INT[4]	89	127				
GIOA[5]/INT[5]	67	98				
GIOA[6]/INT[6]	55	78				
GIOA[7]/INT[7]	56	79				
GIOB[0]/DMAREQ[0]	30	43	3.3 V	2 mA	IPD (20 µA)	GIOB[0], GIOC[4:0], GIOD[5:0], GIOE[7:0:], GIOF[7:0], GIOG[7:0], and GIOH[5:0] are multiplexed with the expansion bus module. See <a href="#">Table 7</a> .
GIOC[0]/EBOE	-	135				
GIOC[1]/EBWR[0]	-	128				
GIOC[2]/EBWR[1]	-	126				
GIOC[3]/EBCS[5]	-	120				
GIOC[4]/EBCS[6]	-	119				

(1) PWR = power, GND = ground, REF = reference voltage, NC = no connect

(2) All I/O pins, except RST, are configured as inputs while PORRST is low and immediately after PORRST goes high.

(3) IPD = internal pulldown, IPU = internal pullup (all internal pullups and pulldowns are active on input pins, independent of the PORRST state.)

**Table 2. Terminal Functions (continued)**

TERMINAL			INPUT VOLTAGE <sup>(1)(2)</sup>	OUTPUT CURRENT <sup>(3)</sup>	INTERNAL PULLUP/ PULLDOWN	DESCRIPTION
NAME	PZ	PGE				
<b>GENERAL-PURPOSE I/O (GIO) (CONTINUED)</b>						
GIOD[0]/EBADDR[0]	-	42	3.3 V	2 mA	IPD (20 $\mu$ A)	GIOB[0], GIOC[4:0], GIOD[5:0], GIOE[7:0:], GIOF[7:0], GIOG[7:0], AND GIOH[5:0] are multiplexed with the expansion bus module. See <a href="#">Table 7</a> .
GIOD[1]/EBADDR[1]	-	39				
GIOD[2]/EBADDR[2]	-	35				
GIOD[3]/EBADDR[3]	-	30				
GIOD[4]/EBADDR[4]	-	27				
GIOD[5]/EBADDR[5]	-	23				
GIOE[0]/EBDATA[0]	-	44				
GIOE[1]/EBDATA[1]	-	47				
GIOE[2]/EBDATA[2]	-	58				
GIOE[3]/EBDATA[3]	-	61				
GIOE[4]/EBDATA[4]	-	64				
GIOE[5]/EBDATA[5]	-	67				
GIOE[6]/EBDATA[6]	-	70				
GIOE[7]/EBDATA[7]	-	77				
GIOF[0]/EBADDR[6]/ EBDATA[8]	-	80				
GIOF[1]/EBADDR[7]/ EBDATA[9]	-	82				
GIOF[2]/EBADDR[8]/ EBDATA[10]	-	89				
GIOF[3]/EBADDR[9]/ EBDATA[11]	-	90				
GIOF[4]/EBADDR[10]/ EBDATA[12]	-	93				
GIOF[5]/EBADDR[11]/ EBDATA[13]	-	96				
GIOF[6]/EBADDR[12]/ EBDATA[14]	-	99				
GIOF[7]/EBADDR[13]/ EBDATA[15]	-	100				
GIOG[0]/EBADDR[14]/ EBADDR[6]	-	20				
GIOG[1]/EBADDR[15]/ EBADDR[7]	-	10				
GIOG[2]/EBADDR[16]/ EBADDR[8]	-	8				
GIOG[3]/EBADDR[17]/ EBADDR[9]	-	6				

**Table 2. Terminal Functions (continued)**

TERMINAL			INPUT VOLTAGE <sup>(1)(2)</sup>	OUTPUT CURRENT <sup>(3)</sup>	INTERNAL PULLUP/ PULLDOWN	DESCRIPTION
NAME	PZ	PGE				
<b>GENERAL-PURPOSE I/O (GIO) (CONTINUED)</b>						
GIOG[4]/EBADDR[18]/ EBADDR[10]	-	3	3.3 V	2 mA	IPD (20 $\mu$ A)	GIOB[0], GIOC[4:0], GIOD[5:0], GIOE[7:0:], GIOF[7:0], GIOG[7:0], AND GIOH[5:0] are multiplexed with the expansion bus module. See <a href="#">Table 7</a> .
GIOG[5]/EBADDR[19]/ EBADDR[11]	-	143				
GIOG[6]/EBADDR[20]/ EBADDR[12]	-	142				
GIOG[7]/EBADDR[21]/ EBADDR[13]	-	140				
GIOH[0]/EBADDR[22]/ EBADDR[14]	-	139				
GIOH[1]/EBADDR[23]/ EBADDR[15]	29	41				
GIOH[2]/EBADDR[24]/ EBADDR[16]	28	40				
GIOH[3]/EBADDR[25]/ EBADDR[17]	27	38				
GIOH[4]/EBADDR[26]/ EBADDR[18]	26	37				
GIOH[5]/EBHOLD	88	125				
<b>MULTI-BUFFERED ANALOG-TO-DIGITAL CONVERTER (MibADC)</b>						
ADEVT	68	101	3.3 V	2 mA		MibADC event input. Can be programmed as a GIO pin.
ADIN[0]	84	117	3.3 V			MibADC analog input pins
ADIN[1]	83	116				
ADIN[2]	82	115				
ADIN[3]	81	114				
ADIN[4]	80	113				
ADIN[5]	75	108				
ADIN[6]	74	107				
ADIN[7]	73	106				
ADIN[8]	72	105				
ADIN[9]	71	104				
ADIN[10]	70	103				
ADIN[11]	69	102				
AD <sub>REFHI</sub>	76	109	3.3-V REF			MibADC module high-voltage reference input
AD <sub>REFLO</sub>	77	110	GND REF			MibADC module low-voltage reference input
V <sub>CCAD</sub>	78	111	3.3-V PWR			MibADC analog supply voltage
V <sub>SSAD</sub>	79	112	GND			MibADC analog ground reference

**Table 2. Terminal Functions (continued)**

TERMINAL			INPUT VOLTAGE <sup>(1)(2)</sup>	OUTPUT CURRENT <sup>(3)</sup>	INTERNAL PULLUP/ PULLDOWN	DESCRIPTION
NAME	PZ	PGE				
<b>SERIAL PERIPHERAL INTERFACE 1 (SPI1)</b>						
SPI1CLK	3	4	5-V tolerant	4 mA		SPI1 clock. SPI1CLK can be programmed as a GIO pin.
$\overline{\text{SPI1ENA}}$	2	2				SPI1 chip enable. Can be programmed as a GIO pin.
$\overline{\text{SPI1SCS}}$	1	1				SPI1 slave chip select. Can be programmed as a GIO pin.
SPI1SIMO	4	5				SPI1 data stream. Slave in/master out. Can be programmed as a GIO pin.
SPI1SOMI	5	7				SPI1 data stream. Slave out/master in. Can be programmed as a GIO pin.
<b>SERIAL PERIPHERAL INTERFACE 2 (SPI2)</b>						
SPI2CLK	39	56	5-V tolerant	4 mA		SPI2 clock. Can be programmed as a GIO pin.
$\overline{\text{SPI2ENA}}$	42	60				SPI2 chip enable. Can be programmed as a GIO pin.
$\overline{\text{SPI2SCS}}$	43	62				SPI2 slave chip select. Can be programmed as a GIO pin.
SPI2SIMO	41	59				SPI2 data stream. Slave in/master out. Can be programmed as a GIO pin.
SPI2SOMI	40	57				SPI2 data stream. Slave out/master in. Can be programmed as a GIO pin.
<b>INTER-INTEGRATED CIRCUIT (I2C)</b>						
I2C1SDA	60	87	5-V tolerant	4 mA		I2C1 serial data pin or GIO pin
I2C1SCL	61	88				I2C1 serial clock pin or GIO pin
I2C2SDA	64	94				I2C2 serial data pin or GIO pin
I2C2SCL	65	95				I2C2 serial clock pin or GIO pin
I2C3SDA	20	29				I2C3 serial data pin or GIO pin
I2C3SCL	19	28				I2C3 serial clock pin or GIO pin
<b>ZERO-PIN PHASE-LOCKED LOOP (ZPLL)</b>						
OSCIN	23	33	1.8 V			Crystal connection pin or external clock input
OSCOU	22	32		2 mA		External crystal connection pin
PLLDIS	66	97	3.3 V		IPD (20 $\mu$ A)	Enable/disable the ZPLL. The ZPLL can be bypassed and the oscillator becomes the system clock.
<b>SERIAL COMMUNICATIONS INTERFACE 1 (SCI1)</b>						
SCI1CLK	33	48	3.3 V	2 mA		SCI1 clock. SCI1CLK can be programmed as a GIO pin.
SCI1RX	32	46	5-V tolerant	4 mA		SCI1 data receive. SCI1RX can be programmed as a GIO pin.
SCI1TX	31	45	3.3 V	2 mA		SCI1 data transmit. SCI1TX can be programmed as a GIO pin.
<b>SERIAL COMMUNICATIONS INTERFACE 2 (SCI2)</b>						
SCI2CLK	36	51	3.3 V	2 mA		SCI2 clock. SCI2CLK can be programmed as a GIO pin.
SCI2RX	35	50	5-V tolerant	4 mA		SCI2 data receive. SCI2RX can be programmed as a GIO pin.
SCI2TX	34	49	3.3 V	2 mA		SCI2 data transmit. SCI2TX can be programmed as a GIO pin.

**Table 2. Terminal Functions (continued)**

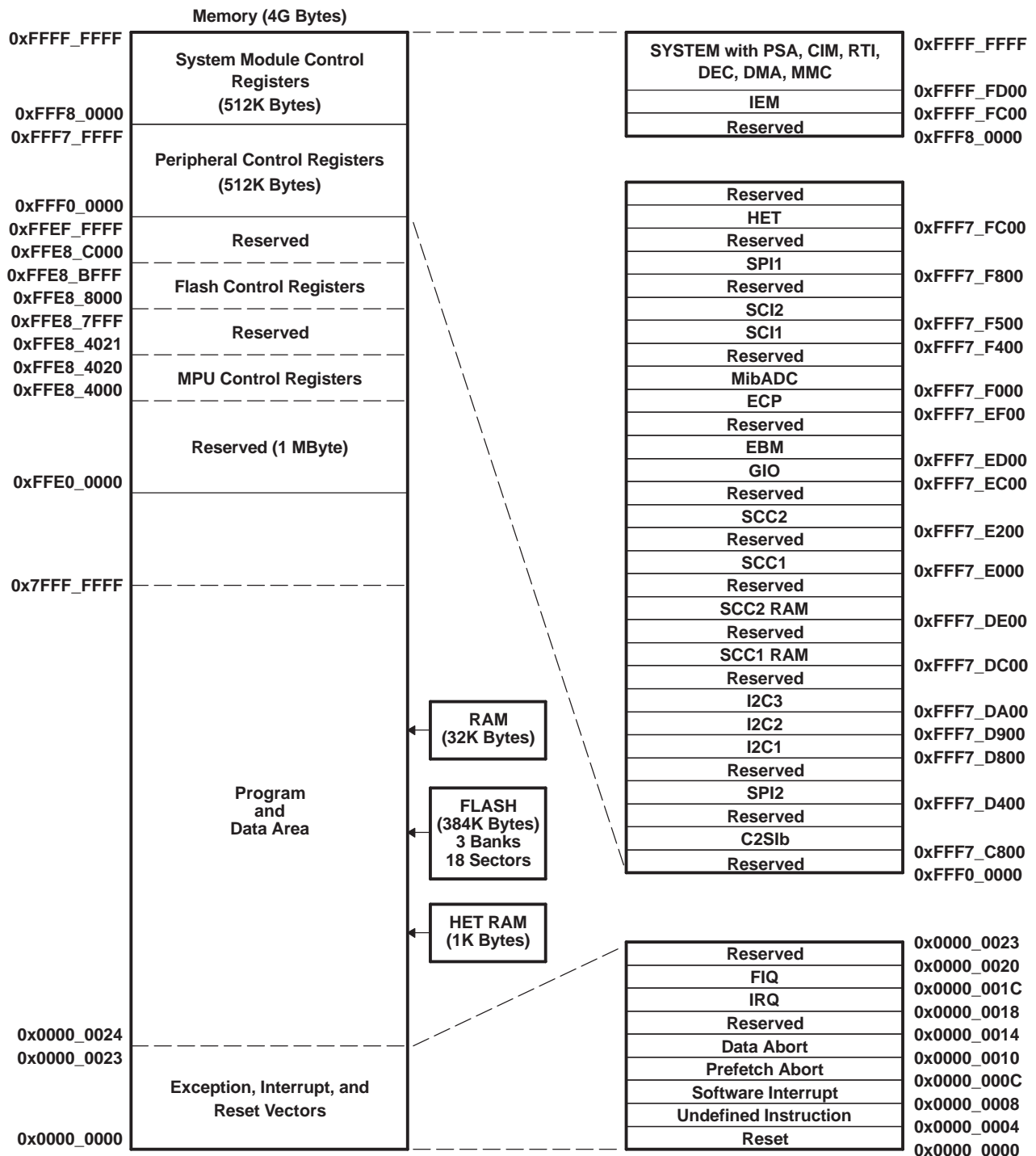
TERMINAL			INPUT VOLTAGE <sup>(1)(2)</sup>	OUTPUT CURRENT <sup>(3)</sup>	INTERNAL PULLUP/ PULLDOWN	DESCRIPTION
NAME	PZ	PGE				
<b>SYSTEM MODULE (SYS)</b>						
CLKOUT	57	81	3.3 V	4 mA		Bidirectional clock out. CLKOUT can be programmed as a GIO pin or the output of SYSCLK, ICLK, or MCLK.
$\overline{\text{PORRST}}$	85	118	3.3 V		IPD (20 $\mu$ A)	Input master chip power-up reset. External $V_{CC}$ monitor circuitry must assert a power-on reset.
$\overline{\text{RST}}$	86	121	3.3 V	4 mA	IPU (20 $\mu$ A)	Bidirectional reset. The internal circuitry can assert a reset, and an external system reset can assert a device reset. On this pin, the output buffer is implemented as an open drain (drives low only). To ensure an external reset is not arbitrarily generated, TI recommends that an external pullup resistor be connected to this pin.
<b>WATCHDOG/REAL-TIME INTERRUPT (WD/RTI)</b>						
AWD	25	36	3.3 V	4 mA		Analog watchdog reset. The AWD pin provides a system reset if the WD KEY is not written in time by the system, providing an external RC network circuit is connected. If the user is not using AWD, TI recommends that this pin be connected to ground or pulled down to ground by an external resistor.  For more details on the external RC network circuit, see the <i>TMS470R1x System Module Reference Guide</i> (literature number SPNU189).
<b>TEST/DEBUG (T/D)</b>						
TCK	54	76	3.3 V	2 mA	IPD (20 $\mu$ A)	Test clock. TCK controls the test hardware (JTAG).
TDI	52	74		2 mA	IPU (20 $\mu$ A)	Test data in. TDI inputs serial data to the test instruction register, test data register, and programmable test address (JTAG).
TDO	53	75		4 mA	IPD (20 $\mu$ A)	Test data out. TDO outputs serial data from the test instruction register, test data register, identification register, and programmable test address (JTAG).
TEST	87	124		IPD (20 $\mu$ A)	IPD (20 $\mu$ A)	Test enable. Reserved for internal use only. TI recommends that this pin be connected to ground or pulled down to ground by an external resistor.
TMS	11	17		2 mA	IPU (20 $\mu$ A)	Serial input for controlling the state of the CPU test access port (TAP) controller (JTAG).
TMS2	10	16		2 mA	IPU (20 $\mu$ A)	Serial input for controlling the second TAP. TI recommends that this pin be connected to $V_{CCIO}$ or pulled up to $V_{CCIO}$ by an external resistor.
$\overline{\text{TRST}}$	100	144				IPD (20 $\mu$ A)

**Table 2. Terminal Functions (continued)**

TERMINAL			INPUT VOLTAGE <sup>(1)(2)</sup>	OUTPUT CURRENT <sup>(3)</sup>	INTERNAL PULLUP/ PULLDOWN	DESCRIPTION
NAME	PZ	PGE				
<b>FLASH</b>						
FLTP2	93	132	NC	NC		Flash test pad 2. <b>For proper operation, this pin must not be connected [no connect (NC)].</b>
V <sub>CCP</sub>	92	131	3.3-V PWR			Flash external pump voltage (3.3 V)
<b>SUPPLY VOLTAGE CORE (1.8 V)</b>						
V <sub>CC</sub>	21	13	1.8-V PWR			Core logic supply voltage
	63	31				
	91	53				
	-	92				
	-	123				
	-	130				
<b>SUPPLY VOLTAGE DIGITAL I/O (3.3 V)</b>						
V <sub>CCIO</sub>	17	25	3.3-V PWR			Digital I/O supply voltage
	48	69				
	-	86				
	97	137				
<b>SUPPLY GROUND CORE</b>						
V <sub>SS</sub>	90	14	GND			Core supply ground reference
	98	26				
	-	34				
	-	52				
	-	68				
	47	85				
	-	91				
	62	122				
	24	129				
	18	138				

TMS470R1A384 DEVICE-SPECIFIC INFORMATION

Memory



- A. Memory addresses are configurable by the system (SYS) module within the range of 0x0000\_0000 to 0xFFE0\_0000.
- B. The CPU registers are not a part of the memory map.

Figure 1. TMS470R1A384 Memory Map

## Memory Selects

Memory selects allow the user to address memory arrays (i.e., flash, RAM, and HET RAM) at user-defined addresses. Each memory select has its own set (low and high) of memory base address registers (MFBABRx and MFBALRx) that, together, define the array's starting (base) address, block size, and protection.

The base address of each memory select is configurable to any memory address boundary that is a multiple of the decoded block size. For more information on how to control and configure these memory select registers, see the bus structure and memory sections of the *TMS470R1x System Module Reference Guide* (literature number SPNU189).

For the memory selection assignments and the memory selected, see [Table 3](#).

**Table 3. TMS470R1A384 Memory Selection Assignment**

MEMORY SELECT	MEMORY SELECTED (ALL INTERNAL)	MEMORY SIZE <sup>(1)</sup>	MPU	MEMORY BASE ADDRESS REGISTER	STATIC MEM CTL REGISTER
0 (fine)	FLASH	384K	NO	MFBABR0 and MFBALR0	
1 (fine)	FLASH		NO	MFBABR1 and MFBALR1	
2 (fine)	RAM	32K <sup>(2)</sup>	YES	MFBABR2 and MFBALR2	
3 (fine)	RAM		YES	MFBABR3 and MFBALR3	
4 (fine)	HET RAM	1K	NO	MFBABR4 and MFBALR4	SMCR1
5 (fine)	$\overline{CS}[5]/\overline{GIOC}[3]$	4MB (x8) 1MB (x16)	NO	MCBABR2 and MCBALR2	SMCR5
6 (fine)	$\overline{CS}[6]/\overline{GIOC}[4]$	4MB (x8) 1MB (x16)	NO	MCBABR3 and MCBALR3	SMCR6

(1) x8 refers to size of memory in 8-bits; x16 refers to size of memory in 16-bits.

(2) The starting addresses for both RAM memory-select signals cannot be offset from each other by a multiple of the user-defined block size in the memory-base address register.

## RAM

The A384 device contains 32K-bytes of internal static RAM configurable by the SYS module to be addressed within the range of 0x0000\_0000 to 0xFFE0\_0000. This A384 RAM is implemented in one 32K-byte array selected by two memory-select signals.

### NOTE:

This A384 configuration imposes an additional constraint on the memory map for RAM; the starting addresses for both RAM memory selects cannot be offset from each other by the multiples of the size of the physical RAM (i.e., 32K bytes for the A384 device). The A384 RAM is addressed through memory selects 2 and 3.

The RAM can be protected by the memory protection unit (MPU) portion of the SYS module, allowing the user finer blocks of memory protection than is allowed by the memory selects. The MPU is ideal for protecting an operating system while allowing access to the current task. For more detailed information on the MPU portion of the SYS module and memory protection, see the memory section of the *TMS470R1x System Module Reference Guide* (literature number SPNU189).



### **F05 Flash**

The F05 flash memory is a nonvolatile electrically erasable and programmable memory implemented with a 32-bit-wide data bus interface. The F05 flash has an external state machine for programming and erase functions. See the *Flash Read* and *Flash Program and Erase* sections.

### **Flash Protection Keys**

The A384 device provides flash protection keys. These four 32-bit protection keys prevent program/erase/compaction operations from occurring until after the four protection keys have been matched by the CPU loading the correct user keys into the FMPKEY control register. The protection keys on the A384 are located in the last 4 words of the first 8K sector. For more detailed information on the flash protection keys and the FMPKEY control register, see the "Optional Quadruple Protection Keys" and "Programming the Protection Keys" portions of the *TMS470R1x F05 Flash Reference Guide* (literature number SPNU213).

### **Flash Read**

The A384 flash memory is configurable by the SYS module to be addressed within the range of 0x0000\_0000 to 0xFFE0\_0000. The flash is addressed through memory selects 0 and 1.

#### **NOTE:**

The flash external pump voltage ( $V_{CCP}$ ) is required for all operations (program, erase, and read).

### **Flash Pipeline Mode**

When in pipeline mode, the flash operates with a system clock frequency of up to 48 MHz (versus a system clock frequency of 24 MHz in normal mode). Flash in pipeline mode is capable of accessing 64-bit words and provides two 32-bit pipelined words to the CPU. Also, in pipeline mode the flash can be read with no wait states when memory addresses are contiguous (after the initial 1- or 2-wait-state reads).

#### **NOTE:**

After a system reset, pipeline mode is disabled (FMREGOPT[0] = 0). In other words, the A384 device powers up and comes out of reset in non-pipeline mode. Furthermore, setting the flash configuration mode bit (GBLCTRL[4]) overrides pipeline mode.

## Flash Program and Erase

The A384 device flash contains three 128K-byte memory arrays (or banks), for a total of 384K-bytes of flash, and consists of 18 sectors. These 18 sectors are sized as follows:

SECTOR NO.	SEGMENT	LOW ADDRESS	HIGH ADDRESS	MEMORY ARRAYS (OR BANKS)
0	8K Bytes	0x0000_0000	0x0000_1FFF	BANK0 (128K Bytes)
1	8K Bytes	0x0000_2000	0x0000_3FFF	
2	16K Bytes	0x0000_4000	0x0000_7FFF	
3	16K Bytes	0x0000_8000	0x0000_BFFF	
4	16K Bytes	0x0000_C000	0x0000_FFFF	
5	16K Bytes	0x0001_0000	0x0001_3FFF	
6	16K Bytes	0x0001_4000	0x0001_7FFF	
7	16K Bytes	0x0001_8000	0x0001_BFFF	
8	8K Bytes	0x0001_C000	0x0001_DFFF	
9	8K bytes	0x0001_E000	0x0001_FFFF	
0	32K Bytes	0x0002_0000	0x0002_7FFF	BANK1 (128K Bytes)
1	32K Bytes	0x0002_8000	0x0002_FFFF	
2	32K Bytes	0x0003_0000	0x0003_7FFF	
3	32K Bytes	0x0003_8000	0x0003_FFFF	
0	32K Bytes	0x0004_0000	0x0004_7FFF	BANK2 (128K Bytes)
1	32K Bytes	0x0004_8000	0x0004_FFFF	
2	32K Bytes	0x0005_0000	0x0005_7FFF	
3	32K Bytes	0x0005_8000	0x0005_FFFF	

The minimum size for an erase operation is one sector. The maximum size for a program operation is one 16-bit word.

### NOTE:

The flash external pump voltage ( $V_{CCP}$ ) is required for all operations (program, erase, and read).

Execution can occur from one bank while programming/erasing any or all sectors of another bank. However, execution cannot occur from any sector within a bank that is being programmed or erased.

### NOTE:

When the OTP sector is enabled, the rest of the flash memory is disabled. The OTP memory can only be read or programmed from code executed out of RAM.

For more detailed information on flash program and erase operations, see the *TMS470R1x F05 Flash Reference Guide* (literature number SPNU213).

## HET RAM

The A384 device contains HET RAM. The HET RAM has a 64-instruction capability. The HET RAM is configurable by the SYS module to be addressed within the range of 0x0000\_0000 to 0xFFE0\_0000. The HET RAM is addressed through memory select 4.

## Peripheral Selects and Base Addresses

The A384 device uses 10 of the 16 peripheral selects to decode the base addresses of the peripherals. These peripheral selects are fixed and transparent to the user because they are part of the decoding scheme used by the SYS module.

Control registers for the peripherals, SYS module, and flash begin at the base addresses shown in [Table 4](#).

**Table 4. A384 Peripherals, System Module, and Flash Base Addresses**

CONNECTING MODULE	ADDRESS RANGE		PERIPHERAL SELECTS
	BASE ADDRESS	ENDING ADDRESS	
SYSTEM	0xFFFF_FFCC	0xFFFF_FFFF	N/A
Reserved	0xFFFF_FF60	0xFFFF_FFCB	N/A
PSA	0xFFFF_FF40	0xFFFF_FF5F	N/A
CIM	0xFFFF_FF20	0xFFFF_FF3F	N/A
RTI	0xFFFF_FF00	0xFFFF_FF1F	N/A
DMA	0xFFFF_FE80	0xFFFF_FEFF	N/A
DEC	0xFFFF_FE00	0xFFFF_FE7F	N/A
MMC	0xFFFF_FD00	0xFFFF_FD7F	N/A
IEM	0xFFFF_FC00	0xFFFF_FCFE	N/A
Reserved	0xFFFF_FB00	0xFFFF_FBF7	N/A
Reserved	0xFFFF_FA00	0xFFFF_FAFF	N/A
DMA CMD BUFFER	0xFFFF_F800	0xFFFF_F9FF	N/A
Reserved	0xFFFF8_0000	0xFFFF_F7FF	N/A
HET	0xFFF7_FC00	0xFFF7_FFFF	PS[0]
SPI1	0xFFF7_F800	0xFFF7_FBF7	PS[1]
SCI2	0xFFF7_F500	0xFFF7_F7FF	PS[2]
SCI1	0xFFF7_F400	0xFFF7_F4FF	
MibADC	0xFFF7_F000	0xFFF7_F3FF	PS[3]
ECP	0xFFF7_EF00	0xFFF7_EFFF	PS[4]
Reserved	0xFFF7_EE00	0xFFF7_EE7F	
EBM	0xFFF7_ED00	0xFFF7_ED7F	
GIO	0xFFF7_EC00	0xFFF7_EC7F	
Reserved	0xFFF7_E400	0xFFF7_EB7F	PS[5]–PS[6]
Reserved	0xFFF7_E300	0xFFF7_E37F	PS[7]
SCC2	0xFFF7_E200	0xFFF7_E27F	
Reserved	0xFFF7_E100	0xFFF7_E17F	
SCC1	0xFFF7_E000	0xFFF7_E07F	
Reserved	0xFFF7_DF00	0xFFF7_DFFF	PS[8]
SCC2 RAM	0xFFF7_DE00	0xFFF7_DE7F	
Reserved	0xFFF7_DD00	0xFFF7_DD7F	
SCC1 RAM	0xFFF7_DC00	0xFFF7_DC7F	
Reserved	0xFFF7_DB00	0xFFF7_DB7F	PS[9]
I2C3	0xFFF7_DA00	0xFFF7_DAFF	
I2C2	0xFFF7_D900	0xFFF7_D97F	
I2C1	0xFFF7_D800	0xFFF7_D87F	
SPI2	0xFFF7_D400	0xFFF7_D77F	PS[10]
Reserved	0xFFF7_CC00	0xFFF7_D37F	PS[11]–PS[12]
C2S1b	0xFFF7_C800	0xFFF7_CB7F	PS[13]
Reserved	0xFFF7_C000	0xFFF7_C77F	PS[14]–PS[15]
Reserved	0xFFF0_0000	0xFFF7_BFFF	N/A
Flash Control Registers	0xFFE8_8000	0xFFE8_BFFF	N/A
MPU Control Registers	0xFFE8_4000	0xFFE8_4023	N/A

## Direct Memory Access (DMA)

The DMA controller transfers data to and from any specified location in the A384 memory map (except for restricted memory locations like the system control registers area). The DMA manages up to 16 channels, and supports data transfer for both on-chip and off-chip memories and peripherals. The DMA controller is connected to both the CPU and peripheral buses, enabling these data transfers to occur in parallel with CPU activity and, thus, maximizing overall system performance.

Although the DMA controller has two possible configurations for the A384 device, the DMA controller configuration is 32 control packets and 16 channels.

For the A384 DMA request hardwired configuration, see [Table 5](#).

**Table 5. DMA Request Lines Connections<sup>(1)</sup>**

MODULES	DMA REQUEST INTERRUPT SOURCES		DMA CHANNEL
EBM	Expansion bus DMA request	EBDMAREQ0	DMAREQ[0]
SPI1	SPI1 end-receive	SPI1DMA0	DMAREQ[1]
SPI1	SPI1 end-transmit	SPI1DMA1	DMAREQ[2]
I2C1	I2C1 read	I2C1DMA0	DMAREQ[3]
SCI1	SCI1 end-receive	SCI1DMA0	DMAREQ[4]
SCI1	SCI1 end-transmit	SCI1DMA1	DMAREQ[5]
I2C1	I2C1 write	I2C1DMA1	DMAREQ[6]
SPI2	SPI2 end-receive	SPI2DMA0	DMAREQ[7]
SPI2	SPI2 end-transmit	SPI2DMA1	DMAREQ[8]
I2C2/C2SIb	I2C2 read/C2SIb end-receive	I2C2DMA0/C2SIDMA0	DMAREQ[9]
I2C2/C2SIb	I2C2 write/C2SIb end-transmit	I2C2DMA1/C2SIDMA1	DMAREQ[10]
I2C3	I2C3 read	I2C3DMA0	DMAREQ[11]
I2C3	I2C3 write	I2C3DMA1	DMAREQ[12]
Reserved			DMAREQ[13]
SCI2/SPI3	SCI2 end-receive	SCI2DMA0	DMAREQ[14]
SCI2/SPI3	SCI2 end-transmit	SCI2DMA1	DMAREQ[15]

(1) For DMA channels with more than one assigned request source (I2C2/C2SIb), only one of the sources listed can be the DMA request generator in a given application. The device has software control to ensure that there are no conflicts between requesting modules.

Each channel has two control packets attached to it, allowing the DMA to continuously load RAM and generate periodic interrupts so that the data can be read by the CPU. The control packets allow for the interrupt enable, and the channels determine the priority level of the interrupt.

DMA transfers occur in one of two modes:

- Non-request mode (used when transferring from memory to memory)
- Request mode (used when transferring from memory to peripheral)

For more detailed functional information on the DMA controller, see the *TMS470R1x Direct Memory Access (DMA) Controller Reference Guide* (literature number SPNU194).

### Interrupt Priority (IEM to CIM)

Interrupt requests originating from the A384 peripheral modules (i.e., SPI1 or SPI2, SCI1 or SCI2, RTI, etc.) are assigned to channels within the 48-channel interrupt expansion module (IEM) where, via programmable register mapping, these channels are then mapped to the 32-channel central interrupt manager (CIM) portion of the SYS module.

Programming multiple interrupt sources in the IEM to the same CIM channel effectively shares the CIM channel between sources.

The CIM request channels are maskable so that individual channels can be selectively disabled. All interrupt requests can be programmed in the CIM to be of either type:

- Fast interrupt request (FIQ)
- Normal interrupt request (IRQ)

The CIM prioritizes interrupts. The precedences of request channels decrease with ascending channel order in the CIM [0 (highest) and 31 (lowest) priority]. For IEM-to-CIM default mapping, channel priorities, and their associated modules, see [Table 6](#).

**Table 6. Interrupt Priority (IEM and CIM)**

MODULES	INTERRUPT SOURCES	DEFAULT CIM INTERRUPT LEVEL/CHANNEL	IEM CHANNEL
SPI1	SPI1 end-transfer/overrun	0	0
RTI	COMP2 interrupt	1	1
RTI	COMP1 interrupt	2	2
RTI	TAP interrupt	3	3
SPI2	SPI2 end-transfer/overrun	4	4
GIO	GIO interrupt A	5	5
Reserved		6	6
HET	HET interrupt 1	7	7
I2C1	I2C1 interrupt	8	8
SCI1/SCI2	SCI1 or SCI2 error interrupt	9	9
SCI1	SCI1 receive interrupt	10	10
C2SIb	C2SIb interrupt	11	11
I2C2	I2C2 interrupt	12	12
SCC2	SCC2 interrupt A	13	13
SCC1	SCC1 interrupt A	14	14
Reserved		15	15
MibADC	MibADC end event conversion	16	16
SCI2	SCI2 receive interrupt	17	17
DMA	DMA interrupt 0	18	18
I2C3	I2C3 interrupt	19	19
SCI1	SCI1 transmit interrupt	20	20
System	SW interrupt (SSI)	21	21
Reserved		22	22
HET	HET interrupt 2	23	23
SCC2	SCC2 interrupt B	24	24
SCC1	SCC1 interrupt B	25	25
SCI2	SCI2 transmit interrupt	26	26
MibADC	MibADC end group1 conversion	27	27
DMA	DMA Interrupt 1	28	28
GIO	GIO interrupt B	29	29
MibADC	MibADC end group2 conversion	30	30
Reserved		31	31

**Table 6. Interrupt Priority (IEM and CIM) (continued)**

<b>MODULES</b>	<b>INTERRUPT SOURCES</b>	<b>DEFAULT CIM INTERRUPT LEVEL/CHANNEL</b>	<b>IEM CHANNEL</b>
Reserved		31	32
Reserved		31	33
Reserved		31	34
Reserved		31	35
Reserved		31	36
Reserved		31	37
Reserved		31	38
Reserved		31	39
Reserved		31	40
Reserved		31	41
Reserved		31	42
Reserved		31	43
Reserved		31	44
Reserved		31	45
Reserved		31	46
Reserved		31	47

For more detailed functional information on the IEM, see the *TMS470R1x Interrupt Expansion Module (IEM) Reference Guide* (literature number SPNU211). For more detailed functional information on the CIM, see the *TMS470R1x System Module Reference Guide* (literature number SPNU189).

## Expansion Bus Module (EBM)

The expansion bus module (EBM) is a standalone module used to bond out both general-purpose input/output pins and expansion bus interface pins. The module supports 8- and 16-bit expansion bus memory interface mappings, as well as mapping of the following expansion bus signals:

- 22-bit address bus (EBADDR[21:0]) for x8, 19-bit address bus (EBADDR[18:0]) for x16
- 8- or 16-bit data bus (EBDATA[7:0] or EBDATA[15:0])
- Two write strobes ( $\overline{\text{EBWR}}[1:0]$ )
- Two memory chip selects ( $\overline{\text{EBCS}}[6:5]$ )
- One output enable ( $\overline{\text{EBOE}}$ )
- One external hold signal for interfacing to slow memories ( $\overline{\text{EBHOLD}}$ )

Table 7 shows the multiplexing of I/O signals with the expansion bus interface signals. The mapping of these pins varies depending on the memory mode.

**Table 7. Expansion Bus Multiplex Mapping<sup>(1)</sup>**

GIO	EXPANSION BUS MODULE PINS <sup>(2)</sup>	
	x8	x16
GIOB[0]	EBDMAREQ[0]	EBDMAREQ[0]
GIOC[0]	$\overline{\text{EBOE}}$	$\overline{\text{EBOE}}$
GIOC[2:1]	$\overline{\text{EBWR}}[1:0]$	$\overline{\text{EBWR}}[1:0]$
GIOC[4:3]	$\overline{\text{EBCS}}[6:5]$	$\overline{\text{EBCS}}[6:5]$
GIOD[5:0]	EBADDR[5:0]	EBADDR[5:0]
GIOE[7:0]	EBDATA[7:0]	EBDATA[7:0]
GIOF[7:0]	EBADDR[13:6]	EBDATA[15:8]
GIOG[7:0]	EBADDR[21:14]	EBADDR[13:6]
GIOH[4:0]	–	EBADDR[18:14]
GIOH[5]	$\overline{\text{EBHOLD}}$	$\overline{\text{EBHOLD}}$

(1) These mappings are controlled by the EBM mux control registers B–H (EBMXCRB–EBMXCRH) and the EBM control register 1 (EBMCR1). For GPIO functions, use GIODIRx, GIODINx, GIODOUTx, GIODSETx, and GIODCLR. For more detailed information, see the *TMS470R1x General-Purpose Input/Output (GIO) Reference Guide* (literature number SPNU192) and the *TMS470R1x Expansion Bus Module (EBM) Reference Guide* (literature number SPNU222).

(2) x8 refers to size of memory in 8-bits; x16 refers to size of memory in 16-bits.

Table 8 lists the names of the expansion bus interface signals and their functions.

**Table 8. Expansion Bus Pins**

PIN	DESCRIPTION
EBDMAREQ	Expansion bus DMA request
$\overline{\text{EBOE}}$	Expansion bus output enable
$\overline{\text{EBWR}}$	Expansion bus write strobe. $\overline{\text{EBWR}}[1]$ controls EBDATA[15:8] and $\overline{\text{EBWR}}[0]$ controls EBDATA[7:0].
$\overline{\text{EBCS}}$	Expansion bus chip select
EBADDR	Expansion bus address
EBDATA	Expansion bus data
$\overline{\text{EBHOLD}}$	Expansion bus hold: an external device connected to the expansion bus may assert this signal to add wait states to an expansion bus transaction.

## MibADC

The multi-buffered analog-to-digital converter (MibADC) accepts an analog signal and converts the signal to a 10-bit digital value.

The A384 MibADC module can function in two modes: compatibility mode, where its programmer's model is compatible with the TMS470R1x ADC module and its digital results are stored in digital result registers; or in buffered mode, where the digital result registers are replaced with three FIFO buffers, one for each conversion group [event, group1 (G1), and group2 (G2)]. In buffered mode, the MibADC buffers can be serviced by interrupts or by the DMA.

### NOTE:

The MibADC on this device does not support the DMA.

### ***MibADC Event Trigger Enhancements***

The MibADC includes two major enhancements over the event-triggering capability of the TMS470R1x ADC.

- Both group1 and the event group can be configured for event-triggered operation, providing up to two event-triggered groups.
- The trigger source and polarity can be selected individually for both group1 and the event group from the options identified in [Table 9](#).

**Table 9. MibADC Event Hookup Configuration**

EVENT NO.	SOURCE SELECT BITS FOR G1 OR EVENT (G1SRC[1:0] OR EVSRC[1:0])	SIGNAL PIN NAME
EVENT1	00	ADEVT
EVENT2	01	HET18
EVENT3	10	Reserved
EVENT4	11	Reserved

For group1, these event-triggered selections are configured via the group1 source select bits (G1SRC[1:0]) in the AD event source register (ADEVTSRC[5:4]). For the event group, these event-triggered selections are configured via the event group source select bits (EVSRC[1:0]) in the AD event source register (ADEVTSRC[1:0]).

For more detailed functional information on the MibADC, see the *TMS470R1x Multi-Buffered Analog-to-Digital Converter (MibADC) Reference Guide* (literature number SPNU206).



## JTAG Interface

There are two main test access ports (TAPs) on the device:

- TMS470R1x CPU TAP
- Device TAP for factory test

Some of the JTAG pins are shared among these two TAPs. The connection is shown in [Figure 2](#).

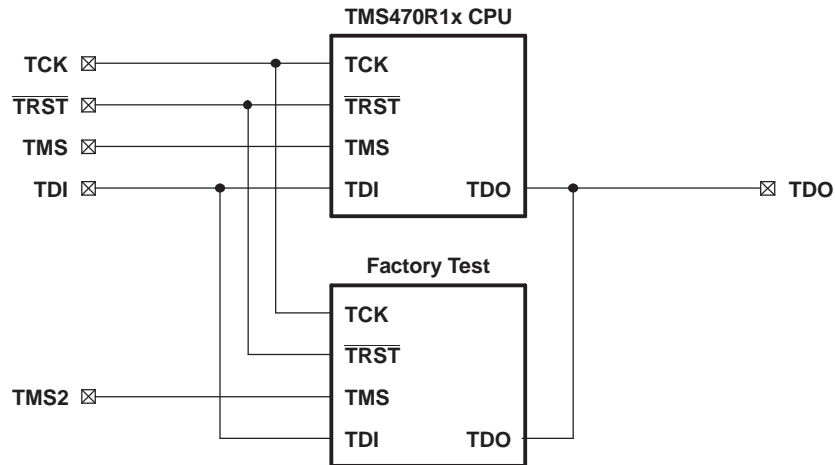


Figure 2. JTAG Interface

## Documentation Support

Extensive documentation supports all of the TMS470 microcontroller family generation of devices. The types of documentation available include data sheets with design specifications, complete user's guides for all devices and development support tools, and hardware and software applications. Useful reference documentation includes:

- Bulletin
  - *TMS470 Microcontroller Family Product Bulletin* (literature number SPNB086)
- User's Guides
  - *TMS470R1x System Module Reference Guide* (literature number SPNU189)
  - *TMS470R1x General Purpose Input/Output (GPIO) Reference Guide* (literature number SPNU192)
  - *TMS470R1x Direct Memory Access (DMA) Controller Reference Guide* (literature number SPNU194)
  - *TMS470R1x Serial Peripheral Interface (SPI) Reference Guide* (literature number SPNU195)
  - *TMS470R1x Serial Communication Interface (SCI) Reference Guide* (literature number SPNU196)
  - *TMS470R1x Controller Area Network (CAN) Reference Guide* (literature number SPNU197)
  - *TMS470R1x High End Timer (HET) Reference Guide* (literature number SPNU199)
  - *TMS470R1x External Clock Prescale (ECP) Reference Guide* (literature number SPNU202)
  - *TMS470R1x MultiBuffered Analog to Digital (MibADC) Reference Guide* (literature number SPNU206)
  - *TMS470R1x Zero Pin Phase-Locked Loop (ZPLL) Clock Module Reference Guide* (literature number SPNU212)
  - *TMS470R1x F05 Flash Reference Guide* (literature number SPNU213)
  - *TMS470R1x Class II Serial Interface B (C2S1b) Reference Guide* (literature number SPNU214)
  - *TMS470R1x Class II Serial Interface A (C2S1a) Reference Guide* (literature number SPNU218)
  - *TMS470R1x JTAG Security Module (JSM) Reference Guide* (literature number SPNU245)
  - *TMS470R1x Memory Security Module (MSM) Reference Guide* (literature number SPNU246)
  - *TMS470 Peripherals Overview Reference Guide* (literature number SPNU248)
- Errata Sheet
  - *TMS470R1A384 TMS470 Microcontrollers Silicon Errata* (literature number SPNZ148)

## Device and Development-Support Tool Nomenclature

To designate the stages in the product development cycle, TI assigns prefixes to the part numbers of all DSP devices and support tools. Each DSP commercial family member has one of three prefixes: TMX, TMP, or TMS (e.g., **TMS470R1A384**). Texas Instruments recommends two of three possible prefix designators for its support tools: TMDX and TMDS. These prefixes represent evolutionary stages of product development from engineering prototypes (TMX/TMDX) through fully qualified production devices/tools (TMS/TMDS).

Device development evolutionary flow:

**TMX** Experimental device that is not necessarily representative of the final device's electrical specifications

**TMP** Final silicon die that conforms to the device's electrical specifications but has not completed quality and reliability verification

**TMS** Fully qualified production device

Support tool development evolutionary flow:

**TMDX** Development-support product that has not yet completed Texas Instruments internal qualification testing.

**TMDS** Fully qualified development-support product

TMX and TMP devices and TMDX development-support tools are shipped against the following disclaimer:

"Developmental product is intended for internal evaluation purposes."

TMS devices and TMDS development-support tools have been characterized fully, and the quality and reliability of the device have been demonstrated fully. TI's standard warranty applies.

Predictions show that prototype devices (TMX or TMP) have a greater failure rate than the standard production devices. Texas Instruments recommends that these devices not be used in any production system because their expected end-use failure rate still is undefined. Only qualified production devices are to be used.

[Figure 3](#) illustrates the numbering and symbol nomenclature for the TMS470R1x family.

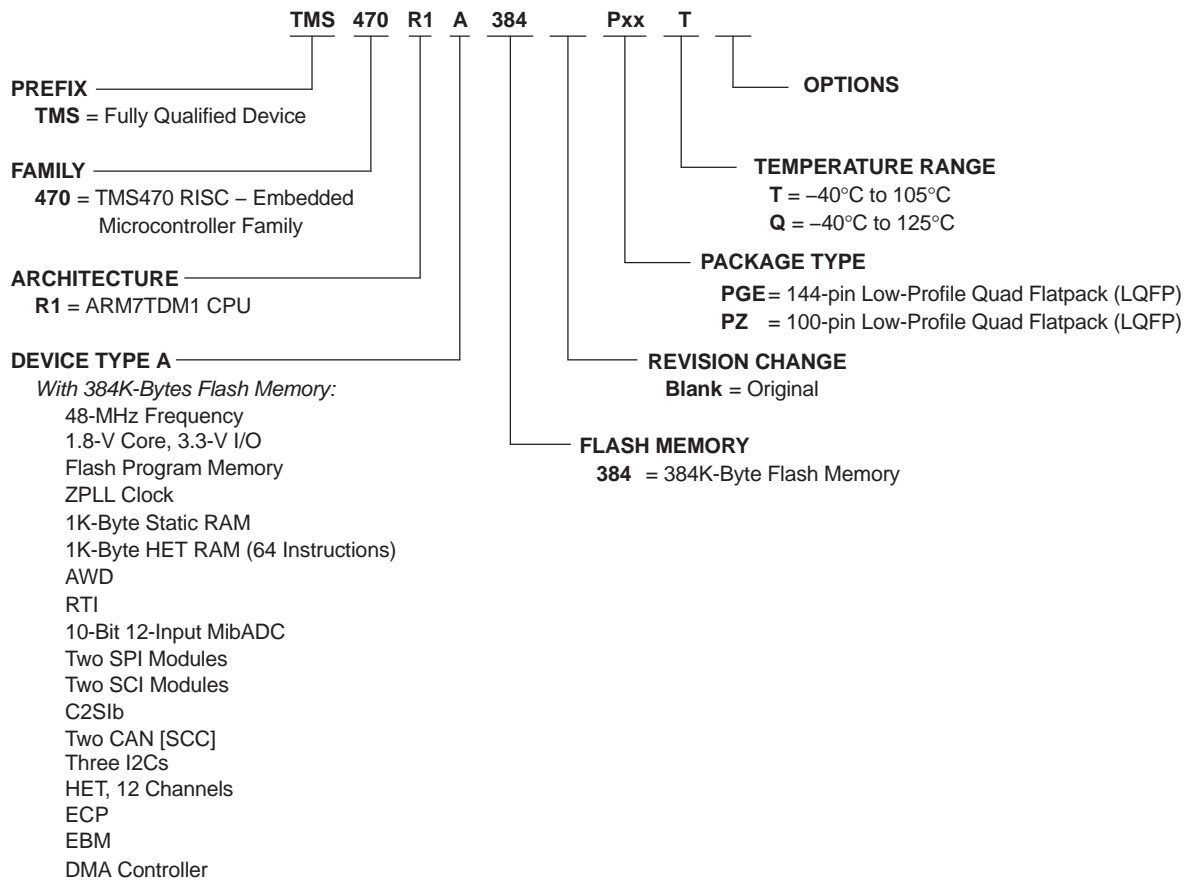
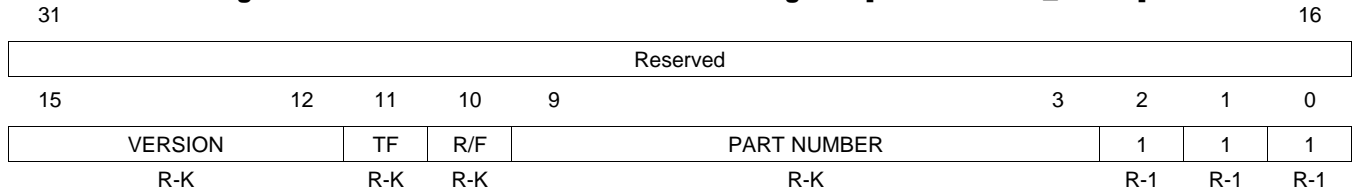


Figure 3. TMS470R1x Family Nomenclature

### Device Identification Code Register

The device identification code register identifies the silicon version, the technology family (TF), a ROM or flash device, and an assigned device-specific part number (see [Figure 4](#)). The A384 device identification code register value is 0x096F.

**Figure 4. TMS470 Device ID Bit Allocation Register [offset = FFFF\_FFF0h]**



**LEGEND:**

R = Read only, -K = Value constant after **RESET**; -n = Value after **RESET**

**Table 10. TMS470 Device ID Bit Allocation Register Field Descriptions**

Bit	Field	Value	Description
31–16	Reserved		Reads are undefined and writes have no effect.
15–12	VERSION		Silicon version (revision) bits These bits identify the silicon version of the device. Initial device version numbers start at 0000.
11	TF	0 1	Technology family bit This bit distinguishes the technology family core power supply: 3.3 V for F10/C10 devices 1.8 V for F05/C05 devices
10	R/F	0 1	ROM/flash bit This bit distinguishes between ROM and flash devices: Flash device ROM device
9–3	PART NUMBER		Device-specific part number bits These bits identify the assigned device-specific part number. The assigned device-specific part number for the A384 device is 0101101.
2–0	1		Mandatory High Bits 2, 1, and 0 are tied high by default.

## Device Electrical Specifications and Timing Parameters

### Absolute Maximum Ratings

over operating free-air temperature range<sup>(1)</sup>

Supply voltage range:	$V_{CC}$ <sup>(2)</sup>	–0.5 V to 2.5 V
Supply voltage range:	$V_{CCIO}$ , $V_{CCAD}$ , $V_{CCP}$ (flash pump) <sup>(2)</sup>	–0.5 V to 4.1 V
Input voltage range:	All 5-V- tolerant input pins	–0.5 V to 6.0 V
	All other input pins	–0.5 V to 4.1 V
Input clamp current, $I_{IK}$ :	All 5-V tolerant pins, $\overline{PORRST}$ , $\overline{TRST}$ , TEST, and TCK ( $V_I < 0$ )	–20 mA <sup>(3)</sup>
	ADIN[0:11] ( $V_I < 0$ or $V_I > V_{CCAD}$ )	±10 mA
	All other pins ( $V_I < 0$ or $V_I > V_{CCAD}$ )	±20 mA
Operating free-air temperature range, $T_A$	T version	–40°C to 105°C
	Q version	–40°C to 125°C
Operating junction temperature range, $T_J$		–40°C to 150°C
Storage temperature range, $T_{stg}$		–40°C to 150°C

(1) Stresses beyond those listed under "absolute maximum ratings" may cause permanent damage to the device. These are stress ratings only, and functional operation of the device at these or any other conditions beyond those indicated under "recommended operating conditions" is not implied. Exposure to absolute-maximum-rated conditions for extended periods may affect device reliability.

(2) All voltage values are with respect to their associated grounds.

(3) These pins do not have an internal clamp diode to a positive supply voltage.

### Device Recommended Operating Conditions<sup>(1)</sup>

		MIN	NOM	MAX	UNIT
$V_{CC}$	Digital logic supply voltage (Core)	1.71		2.05	V
$V_{CCIO}$	Digital logic supply voltage (I/O)	3	3.3	3.6	V
$V_{CCAD}$	MibADC supply voltage	3	3.3	3.6	V
$V_{CCP}$	Flash pump supply voltage	3	3.3	3.6	V
$V_{SS}$	Digital logic supply ground		0		V
$V_{SSAD}$	MibADC supply ground	–0.1		0.1	V
$T_A$	Operating free-air temperature	T version	–40	105	°C
		Q version	–40	125	
$T_J$	Operating junction temperature	–40		150	°C

(1) All voltages are with respect to  $V_{SS}$ , except  $V_{CCAD}$ , which is with respect to  $V_{SSAD}$ .

## Electrical Characteristics

 over recommended operating free-air temperature range<sup>(1)</sup>

PARAMETER			TEST CONDITIONS	MIN	TYP	MAX	UNIT
$V_{hys}$	Input hysteresis			0.15			V
$V_{IL}$	Low-level input voltage	All inputs <sup>(2)</sup> except OSCIN		-0.3		0.8	V
		OSCIN only		-0.3		$0.35 V_{CC}$	
$V_{IH}$	High-level input voltage	All inputs except OSCIN		2		$V_{CCIO} + 0.3$	V
		OSCIN only		$0.65 V_{CC}$		$V_{CC} + 0.3$	
$V_{th}$	Input threshold voltage	AWD only		1.35		1.8	V
$RDS_{ON}$	Drain to source on resistance	AWD only <sup>(3)</sup>	$V_{OL} - 0.35 V$ at $I_{OL} = 4 mA$			90	
$V_{OL}$	Low-level output voltage <sup>(4)</sup>		$I_{OL} = I_{OL MAX}$			$0.2 V_{CCIO}$	V
			$I_{OL} = 3 mA$			0.4	
$V_{OH}$	High-level output voltage <sup>(4)</sup>		$I_{OH} = I_{OH MIN}$	$0.8 V_{CCIO}$			V
			$I_{OH} = 250 \mu A$	2.7			
$I_{IC}$	Input clamp current (I/O pins) <sup>(5)</sup>		$V_I < V_{SSIO} - 0.3$ or $V_I > V_{CCIO} + 0.3$	-2		2	mA
$I_i$	Input current (3.3-V input pins)	$I_{IL}$ Pulldown	$V_I = V_{SS}$	-1		1	$\mu A$
		$I_{IH}$ Pulldown	$V_I = V_{CCIO}$	5		40	
		$I_{IL}$ Pullup	$V_I = V_{SS}$	-40		-5	
		$I_{IH}$ Pullup	$V_I = V_{CCIO}$	-1		1	
		All other pins	No pullup or pulldown	-1		1	
	Input current (5-V tolerant input pins)	$V_I = V_{SS}$	-1		1	$\mu A$	
		$V_I = V_{CCIO}$	-1		1		
		$V_I = 5 V$	0.5		20		
		$V_I = 5.5 V$	1		40		
$I_{OL}$	Low-level output current	RST, CLKOUT, AWD, TDO	$V_{OL} = V_{OL MAX}$			4	mA
		All other 3.3 V I/O <sup>(6)</sup>				2	
		5-V tolerant				4	
$I_{OH}$	High-level output current	RST, CLKOUT, TDO	$V_{OH} = V_{OH MIN}$	-4			mA
		All other 3.3 V I/O <sup>(6)</sup>		-2			
		5 V tolerant		-4			

(1) Source currents (out of the device) are negative, while sink currents (into the device) are positive.

(2) This does not apply to the  $\overline{PORRST}$  pin. For  $\overline{PORRST}$  exceptions, see the *RST and  $\overline{PORRST}$  Timings* section.

(3) These values help to determine the external RC network circuit. For more details, see the *TMS470R1x System Module Reference Guide* (literature number SPNU189).

(4)  $V_{OL}$  and  $V_{OH}$  are linear with respect to the amount of load current ( $I_{OL}/I_{OH}$ ) applied.

(5) Parameter does not apply to input-only or output-only pins.

(6) The 2-mA buffers on this device are called zero-dominant buffers. If two of these buffers are shorted together and one is outputting a low level and the other is outputting a high level, the resulting value is always low.

**Electrical Characteristics (continued)**

over recommended operating free-air temperature range

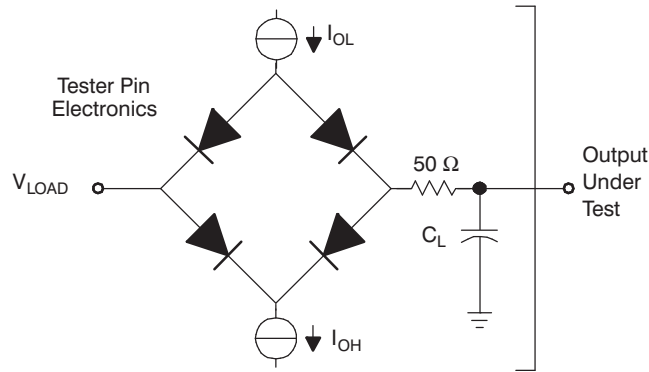
PARAMETER		TEST CONDITIONS		MIN	TYP	MAX	UNIT
I <sub>CC</sub>	V <sub>CC</sub> digital supply current (operating mode)	SYSCLK = 24 MHz, ICLK = 15 MHz, V <sub>CC</sub> = 2.05 V				90	mA
		SYSCLK = 48 MHz, ICLK = 24 MHz, V <sub>CC</sub> = 2.05 V				115	
	V <sub>CC</sub> digital supply current (standby mode) <sup>(7)</sup>	OSCIN = 4 MHz, V <sub>CC</sub> = 2.05 V	T version (105°C)			1	mA
			Q version (125°C)			1.25	
V <sub>CC</sub> digital supply current (halt mode) <sup>(7)</sup>	30°C version, V <sub>CC</sub> = 2.05 V				30	μA	
	T version (105°C), V <sub>CC</sub> = 2.05 V				365		
	Q version (125°C), V <sub>CC</sub> = 2.05 V				550		
I <sub>CCIO</sub>	V <sub>CCIO</sub> digital supply current (operating mode)	No DC load, V <sub>CCIO</sub> = 3.6 V <sup>(8)</sup>				10	mA
	V <sub>CCIO</sub> digital supply current (standby mode)	No DC load, V <sub>CCIO</sub> = 3.6 V <sup>(8)</sup>				15	μA
	V <sub>CCIO</sub> digital supply current (halt mode)	No DC load, V <sub>CCIO</sub> = 3.6 V <sup>(8)</sup>				5	μA
I <sub>CCAD</sub>	V <sub>CCAD</sub> supply current (operating mode)	All frequencies, V <sub>CCAD</sub> = 3.6 V				25	mA
	V <sub>CCAD</sub> supply current (standby mode)	No DC load, V <sub>CCAD</sub> = 3.6 V <sup>(8)</sup>				10	μA
	V <sub>CCAD</sub> supply current (halt mode)	V <sub>CCAD</sub> = 3.6 V				5	μA
I <sub>CCP</sub>	V <sub>CCP</sub> pump supply current	V <sub>CCP</sub> = 3.6 V read operation				25	mA
		V <sub>CCP</sub> = 3.6 V program and erase				70	mA
		V <sub>CCP</sub> = 3.6 V standby mode operation <sup>(7)</sup>				10	μA
		V <sub>CCP</sub> = 3.6 V halt mode operation <sup>(7)</sup>				5	μA
C <sub>I</sub>	Input capacitance				2	pF	
C <sub>O</sub>	Output capacitance				3	pF	

(7) For flash banks/pumps in sleep mode.

(8) I/O pins configured as inputs or outputs with no load. All pulldown inputs ≤ 0.2 V. All pullup inputs ≥ V<sub>CCIO</sub> – 0.2 V.



**Parameter Measurement Information**



Where:  $I_{OL}$  =  $I_{OL}$  MAX for the respective pin <sup>(A)</sup>  
 $I_{OH}$  =  $I_{OH}$  MIN for the respective pin <sup>(A)</sup>  
 $V_{LOAD}$  = 1.5 V  
 $C_L$  = 150-pF typical load-circuit capacitance <sup>(B)</sup>

- A. For these values, see the "Electrical Characteristics over Recommended Operating Free-Air Temperature Range" table.
- B. All timing parameters measured using an external load capacitance of 150 pF unless otherwise noted.

**Figure 5. Test Load Circuit**

## Timing Parameter Symbolology

Timing parameter symbols have been created in accordance with JEDEC Standard 100. To shorten the symbols, some of the pin names and other related terminology have been abbreviated as follows:

CM	Compaction, CMPCT	RD	Read
CO	CLKOUT	RST	Reset, $\overline{\text{RST}}$
ER	Erase	RX	SCInRX
ICLK	Interface clock	S	Slave mode
M	Master mode	SCC	SCInCLK
OSC, OSC1	OSCIN	SIMO	SPInSIMO
OSCO	OSCOU	SOMI	SPInSOMI
P	Program, PROG	SPC	SPInCLK
R	Ready	SYS	System clock
R0	Read margin 0, RDMRGN0	TX	SCInTX
R1	Read margin 1, RDMRGN1		

Lowercase subscripts and their meanings are:

a	access time	r	rise time
c	cycle time (period)	su	setup time
d	delay time	t	transition time
f	fall time	v	valid time
h	hold time	w	pulse duration (width)

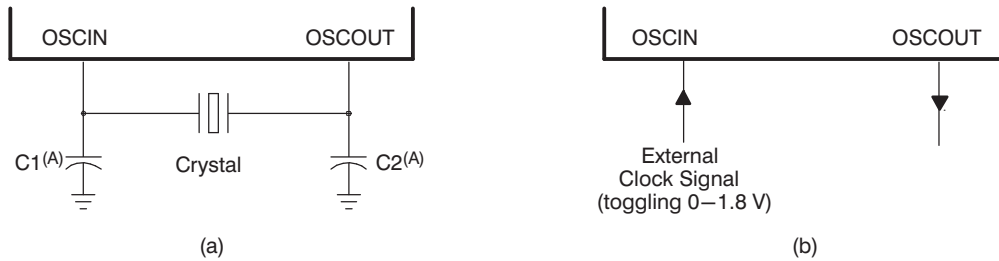
The following additional letters are used with these meanings:

H	High	X	Unknown, changing, or don't care level
L	Low	Z	High impedance
V	Valid		

### External Reference Resonator/Crystal Oscillator Clock Option

The oscillator is enabled by connecting the appropriate fundamental 4-20 MHz resonator/crystal and load capacitors across the external OSCIN and OSCOUT pins as shown in Figure 6a. The oscillator is a single-stage inverter held in bias by an integrated bias resistor. This resistor is disabled during leakage test measurement and HALT mode. **TI strongly encourages each customer to submit samples of the device to the resonator/crystal vendors for validation.** The vendors are equipped to determine what load capacitors will best tune their resonator/crystal to the microcontroller device for optimum start-up and operation over temperature/voltage extremes.

An external oscillator source can be used by connecting a 1.8-V clock signal to the OSCIN pin and leaving the OSCOUT pin unconnected (open) as shown in Figure 6b.



- A. The values of C1 and C2 should be provided by the resonator/crystal vendor.

**Figure 6. Crystal/Clock Connection**

## ZPLL AND CLOCK SPECIFICATIONS

### Timing Requirements for ZPLL Circuits Enabled or Disabled

		MIN	TYP	MAX	UNIT
$f_{(OSC)}$	Input clock frequency	4		20	MHz
$t_{c(O SC)}$	Cycle time, OSCIN	50			ns
$t_{w(O SCIL)}$	Pulse duration, OSCIN low	15			ns
$t_{w(O SCIH)}$	Pulse duration, OSCIN high	15			ns
$f_{(OSCRST)}$	OSC FAIL frequency <sup>(1)</sup>		53		kHz

- (1) Causes a device reset (specifically a clock reset) by setting the RST OSC FAIL (GLBCTRL.15) and the OSC FAIL flag (GLBSTAT.1) bits equal to 1. For more detailed information on these bits and device resets, see the *TMS470R1x System Module Reference Guide* (literature number SPNU189).

### Switching Characteristics Over Recommended Operating Conditions for Clocks<sup>(1)(2)</sup>

PARAMETER		TEST CONDITIONS <sup>(3)</sup>	MIN	MAX	UNIT
$f_{(SYS)}$	System clock frequency <sup>(4)</sup>	Pipeline mode enabled		48	MHz
		Pipeline mode disabled		24	MHz
$f_{(CONFIG)}$	System clock frequency - flash config mode			24	MHz
$f_{(ICLK)}$	Interface clock frequency			24	MHz
$f_{(ECLK)}$	External clock output frequency for ECP module			24	MHz
$t_{c(SYS)}$	Cycle time, system clock	Pipeline mode enabled	20.8		ns
		Pipeline mode disabled	41.6		ns
$t_{c(CONFIG)}$	Cycle time, system clock - flash config mode		41.6		ns
$t_{c(ICLK)}$	Cycle time, interface clock		41.6		ns
$t_{c(ECLK)}$	Cycle time, ECP module external clock output		41.6		ns

- (1)  $f_{(SYS)} = M \times f_{(OSC)}/R$ , where  $M = \{8\}$ ,  $R = \{1,2,3,4,5,6,7,8\}$  when  $PLLDIS = 0$ . R is the system-clock divider determined by the CLKDIVPRE [2:0] bits in the global control register (GLBCTRL[2:0]) and M is the PLL multiplier determined by the MULT4 bit also in the GLBCTRL register (GLBCTRL.3).  
 $f_{(SYS)} = f_{(OSC)}/R$ , where  $R = \{1,2,3,4,5,6,7,8\}$  when  $PLLDIS = 1$ .  
 $f_{(ICLK)} = f_{(SYS)}/X$ , where  $X = \{1,2,3,4,5,6,7,8,9,10,11,12,13,14,15,16\}$ . X is the interface clock divider ratio determined by the PCR0[4:1] bits in the SYS module.
- (2)  $f_{(ECLK)} = f_{(ICLK)}/N$ , where  $N = \{1 \text{ to } 256\}$ . N is the ECP prescale value defined by the ECPCTRL[7:0] register bits in the ECP module.
- (3) Pipeline mode enabled or disabled is determined by the ENPIPE bit (FMREGOPT.0).
- (4) Flash Vread must be set to 5 V to achieve maximum system clock frequency.

**Switching Characteristics Over Recommended Operating Conditions for External Clocks<sup>(1)(2)(3)</sup>**  
(see Figure 7 and Figure 8)

PARAMETER		TEST CONDITIONS	MIN	MAX	UNIT
$t_{w(COL)}$	Pulse duration, CLKOUT low	SYSCLK or MCLK <sup>(4)</sup>	$0.5t_{c(SYS)} - t_f$		ns
		ICLK: X is even or 1 <sup>(5)</sup>	$0.5t_{c(ICLK)} - t_f$		
		ICLK: X is odd and not 1 <sup>(5)</sup>	$0.5t_{c(ICLK)} + 0.5t_{c(SYS)} - t_f$		
$t_{w(COH)}$	Pulse duration, CLKOUT high	SYSCLK or MCLK <sup>(4)</sup>	$0.5t_{c(SYS)} - t_r$		ns
		ICLK: X is even or 1 <sup>(5)</sup>	$0.5t_{c(ICLK)} - t_r$		
		ICLK: X is odd and not 1 <sup>(5)</sup>	$0.5t_{c(ICLK)} - 0.5t_{c(SYS)} - t_r$		
$t_{w(EOL)}$	Pulse duration, ECLK low	N is even and X is even or odd	$0.5t_{c(ECLK)} - t_f$		ns
		N is odd and X is even	$0.5t_{c(ECLK)} - t_f$		
		N is odd and X is odd and not 1	$0.5t_{c(ECLK)} + 0.5t_{c(SYS)} - t_f$		
$t_{w(EOH)}$	Pulse duration, ECLK high	N is even and X is even or odd	$0.5t_{c(ECLK)} - t_r$		ns
		N is odd and X is even	$0.5t_{c(ECLK)} - t_r$		
		N is odd and X is odd and not 1	$0.5t_{c(ECLK)} - 0.5t_{c(SYS)} - t_r$		

- (1) X = {1,2,3,4,5,6,7,8,9,10,11,12,13,14,15,16}. X is the interface clock divider ratio determined by the PCR0[4:1] bits in the SYS module.
- (2) N = {1 to 256}. N is the ECP prescale value defined by the ECPCTRL[7:0] register bits in the ECP module.
- (3) CLKOUT/ECLK pulse durations (low/high) are a function of the OSCIN pulse durations when PLLDIS is active.
- (4) Clock source bits are selected as either SYSCLK (CLKCNTL[6:5] = 11 binary) or MCLK (CLKCNTL[6:5] = 10 binary).
- (5) Clock source bits are selected as ICLK (CLKCNTL[6:5] = 01 binary).

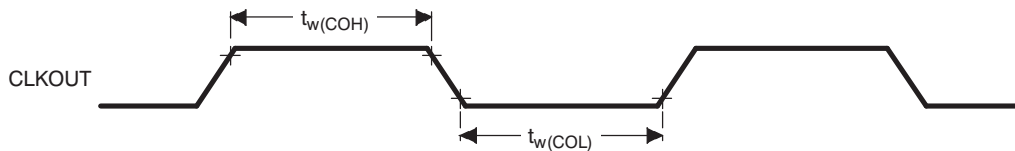


Figure 7. CLKOUT Timing Diagram

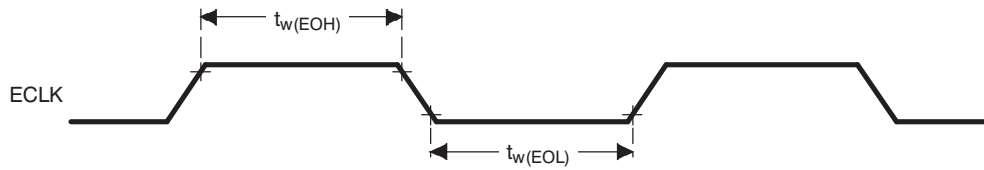


Figure 8. ECLK Timing Diagram

## RST AND PORRST TIMINGS

### Timing Requirements for PORRST

(see Figure 9)

		MIN	MAX	UNIT
V <sub>CCPORL</sub>	V <sub>CC</sub> low supply level when $\overline{\text{PORRST}}$ must be active during power up		0.6	V
V <sub>CCPORH</sub>	V <sub>CC</sub> high supply level when $\overline{\text{PORRST}}$ must remain active during power up and become active during power down	1.5		V
V <sub>CCIOPORL</sub>	V <sub>CCIO</sub> low supply level when $\overline{\text{PORRST}}$ must be active during power up		1.1	V
V <sub>CCIOPORH</sub>	V <sub>CCIO</sub> high supply level when $\overline{\text{PORRST}}$ must remain active during power up and become active during power down	2.75		V
V <sub>IL</sub>	Low-level input voltage after V <sub>CCIO</sub> > V <sub>CCIOPORH</sub>		0.2 V <sub>CCIO</sub>	V
V <sub>IL(PORRST)</sub>	Low-level input voltage of $\overline{\text{PORRST}}$ before V <sub>CCIO</sub> > V <sub>CCIOPORL</sub>		0.5	V
t <sub>su(PORRST)r</sub>	Setup time, $\overline{\text{PORRST}}$ active before V <sub>CCIO</sub> > V <sub>CCIOPORL</sub> during power up	0		ms
t <sub>su(VCCIO)r</sub>	Setup time, V <sub>CCIO</sub> > V <sub>CCIOPORL</sub> before V <sub>CC</sub> > V <sub>CCPORL</sub>	0		ms
t <sub>h(PORRST)r</sub>	Hold time, $\overline{\text{PORRST}}$ active after V <sub>CC</sub> > V <sub>CCPORH</sub>	1		ms
t <sub>su(PORRST)f</sub>	Setup time, $\overline{\text{PORRST}}$ active before V <sub>CC</sub> ≤ V <sub>CCPORH</sub> during power down	8		μs
t <sub>h(PORRST)rio</sub>	Hold time, $\overline{\text{PORRST}}$ active after V <sub>CC</sub> > V <sub>CCIOPORH</sub>	1		ms
t <sub>h(PORRST)d</sub>	Hold time, $\overline{\text{PORRST}}$ active after V <sub>CC</sub> < V <sub>CCPORL</sub>	0		ms
t <sub>su(PORRST)rio</sub>	Setup time, $\overline{\text{PORRST}}$ active before V <sub>CC</sub> ≤ V <sub>CCIOPORH</sub> during power down	0		ns
t <sub>su(VCCIO)f</sub>	Setup time, V <sub>CC</sub> < V <sub>CCPORL</sub> before V <sub>CCIO</sub> < V <sub>CCIOPORL</sub>	0		ns

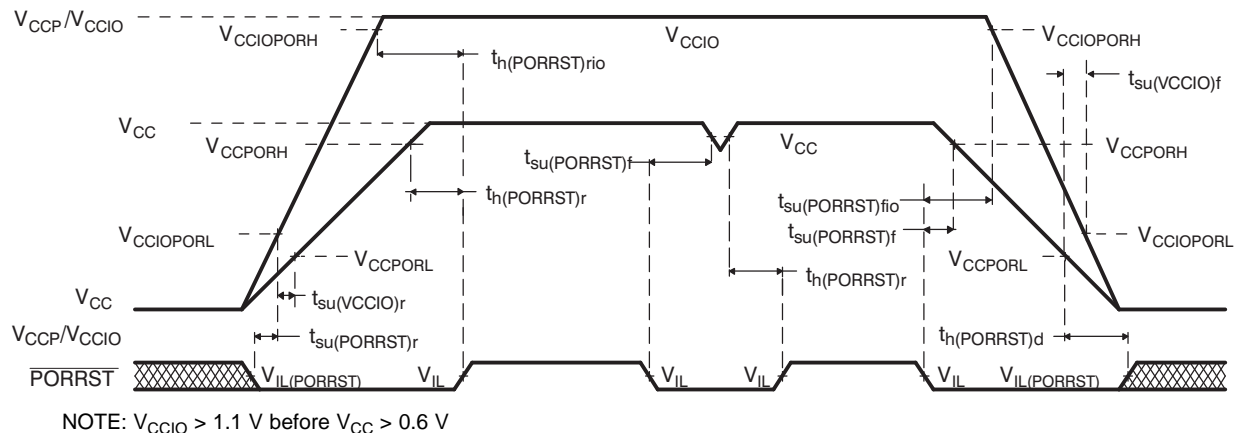


Figure 9.  $\overline{\text{PORRST}}$  Timing Diagram

### Switching Characteristics Over Recommended Operating Conditions for $\overline{\text{RST}}$ <sup>(1)</sup>

	PARAMETER	MIN	MAX	UNIT
t <sub>v(RST)</sub>	Valid time, $\overline{\text{RST}}$ active after $\overline{\text{PORRST}}$ inactive	4112t <sub>c(OSC)</sub>		ns
	Valid time, $\overline{\text{RST}}$ active (all others)	8t <sub>c(SYS)</sub>		
t <sub>fsu</sub>	Flash start-up time, from $\overline{\text{RST}}$ inactive to fetch of first instruction from flash (flash pump stabilization time)	360t <sub>c(OSC)</sub>		ns

(1) Specified values do NOT include rise/fall times. For rise and fall timings, see the "Switching Characteristics for Output Timings versus Load Capacitance" table.

### JTAG SCAN INTERFACE TIMING

(JTAG Clock Specification 10-MHz and 50-pF Load on TDO Output)

		MIN	MAX	UNIT
$t_{c(JTAG)}$	Cycle time, JTAG low and high period	50		ns
$t_{su(TDI/TMS - TCKr)}$	Setup time, TDI, TMS before TCK rise (TCKr)	15		ns
$t_h(TCKr - TDI/TMS)$	Hold time, TDI, TMS after TCKr	15		ns
$t_h(TCKf - TDO)$	Hold time, TDO after TCKf	10		ns
$t_d(TCKf - TDO)$	Delay time, TDO valid after TCK fall (TCKf)		45	ns

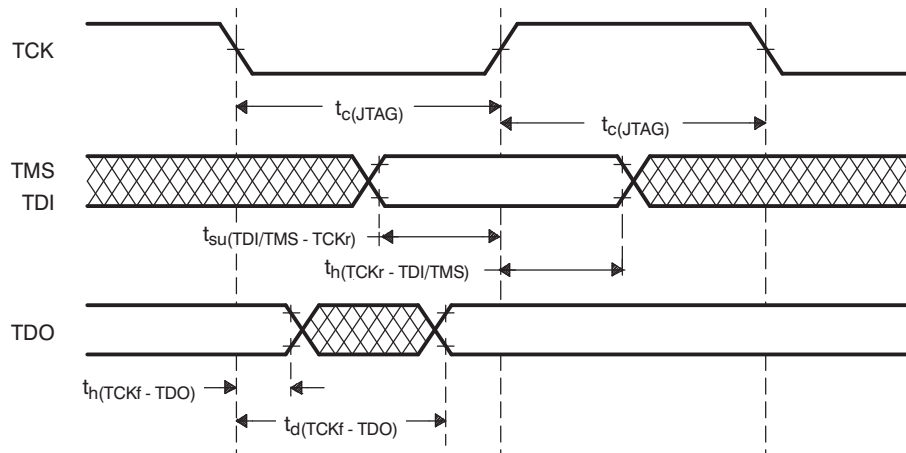


Figure 10. JTAG Scan Timings

## OUTPUT TIMINGS

### Switching Characteristics for Output Timings versus Load Capacitance ( $C_L$ )

(see [Figure 11](#))

PARAMETER		MIN	MAX	UNIT	
$t_r$	Rise time, AWD, CLKOUT, $\overline{RST}$ , TD0/GIOC[6]	$C_L = 15\text{ pF}$	2.5	8	ns
		$C_L = 50\text{ pF}$	5	14	
		$C_L = 100\text{ pF}$	9	23	
		$C_L = 150\text{ pF}$	13	32	
$t_f$	Fall time, AWD, CLKOUT, TD0/GIOC[6]	$C_L = 15\text{ pF}$	2.5	8	ns
		$C_L = 50\text{ pF}$	5	14	
		$C_L = 100\text{ pF}$	9	23	
		$C_L = 150\text{ pF}$	13	32	
$t_r$	Rise time, 4-mA 5-V tolerant pins	$C_L = 15\text{ pF}$	3	10	ns
		$C_L = 50\text{ pF}$	3.5	12	
		$C_L = 100\text{ pF}$	7	21	
		$C_L = 150\text{ pF}$	9	28	
$t_f$	Fall time, 4-mA 5-V tolerant pins	$C_L = 15\text{ pF}$	2	8	ns
		$C_L = 50\text{ pF}$	2.5	9	
		$C_L = 100\text{ pF}$	8	25	
		$C_L = 150\text{ pF}$	11	35	
$t_r$	Rise time, all other output pins	$C_L = 15\text{ pF}$	2.5	10	ns
		$C_L = 50\text{ pF}$	6.0	25	
		$C_L = 100\text{ pF}$	12	45	
		$C_L = 150\text{ pF}$	18	65	
$t_f$	Fall time, all other output pins	$C_L = 15\text{ pF}$	3	10	ns
		$C_L = 50\text{ pF}$	8.5	25	
		$C_L = 100\text{ pF}$	16	45	
		$C_L = 150\text{ pF}$	23	65	

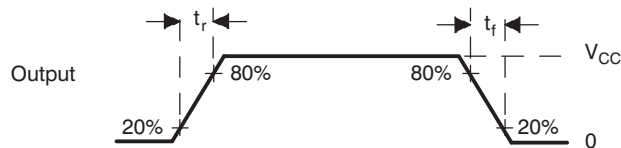


Figure 11. CMOS-Level Outputs



## INPUT TIMINGS

### Timing Requirements for Input Timings<sup>(1)</sup>

(see Figure 12)

		MIN	MAX	UNIT
$t_{pw}$	Input minimum pulse width	$t_{c(ICKL)} + 10$		ns

(1)  $t_{c(ICKL)} = \text{interface clock cycle time} = 1/f_{(ICKL)}$

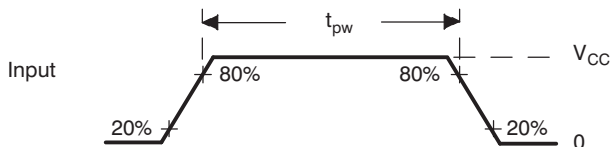


Figure 12. CMOS-Level Inputs

## FLASH TIMINGS

### Timing Requirements for Program Flash<sup>(1)</sup>

		MIN	TYP	MAX	UNIT
$t_{prog(16-bit)}$	Half word (16-bit) programming time	4	16	200	$\mu\text{s}$
$t_{prog(Total)}$	384K-byte programming time <sup>(2)</sup>		3	10	s
$t_{erase(sector)}$	Sector erase time		1.7		s
$t_{wec}$	Write/erase cycles at $T_A = -40^\circ\text{C}$ to $125^\circ\text{C}$	50000			cycles
$t_{fp(RST)}$	Flash pump settling time from $\overline{RST}$ to SLEEP		$72t_{c(SYS)}$		ns
$t_{fp(SLEEP)}$	Initial flash pump settling time from SLEEP to STANDBY		$72t_{c(SYS)}$		
$t_{fp(STANDBY)}$	Initial flash pump settling time from STANDBY to ACTIVE		$36t_{c(SYS)}$		

(1) For more detailed information on the flash core sectors, see the *flash program and erase* section of this data sheet.

(2) The 384K-byte programming time includes overhead of state machine.

## SPI<sub>n</sub> MASTER MODE TIMING PARAMETERS

### SPI<sub>n</sub> Master Mode External Timing Parameters

(CLOCK PHASE = 0, SPI<sub>n</sub>CLK = output, SPI<sub>n</sub>SIMO = output, and SPI<sub>n</sub>SOMI = input)<sup>(1)(2)(3)</sup> (see Figure 13)

NO.			MIN	MAX	UNIT
1	$t_{c(SPC)M}$	Cycle time, SPI <sub>n</sub> CLK <sup>(4)</sup>	100	$256t_{c(ICLK)}$	ns
2 <sup>(5)</sup>	$t_{w(SPCH)M}$	Pulse duration, SPI <sub>n</sub> CLK high (clock polarity = 0)	$0.5t_{c(SPC)M} - t_r$	$0.5t_{c(SPC)M} + 5$	ns
	$t_{w(SPCL)M}$	Pulse duration, SPI <sub>n</sub> CLK low (clock polarity = 1)	$0.5t_{c(SPC)M} - t_f$	$0.5t_{c(SPC)M} + 5$	
3 <sup>(5)</sup>	$t_{w(SPCL)M}$	Pulse duration, SPI <sub>n</sub> CLK low (clock polarity = 0)	$0.5t_{c(SPC)M} - t_f$	$0.5t_{c(SPC)M} + 5$	ns
	$t_{w(SPCH)M}$	Pulse duration, SPI <sub>n</sub> CLK high (clock polarity = 1)	$0.5t_{c(SPC)M} - t_r$	$0.5t_{c(SPC)M} + 5$	
4 <sup>(5)</sup>	$t_{d(SPCH-SIMO)M}$	Delay time, SPI <sub>n</sub> CLK high to SPI <sub>n</sub> SIMO valid (clock polarity = 0)		10	ns
	$t_{d(SPCL-SIMO)M}$	Delay time, SPI <sub>n</sub> CLK low to SPI <sub>n</sub> SIMO valid (clock polarity = 1)		10	
5 <sup>(5)</sup>	$t_{v(SPCL-SIMO)M}$	Valid time, SPI <sub>n</sub> SIMO data valid after SPI <sub>n</sub> CLK low (clock polarity = 0)	$t_{c(SPC)M} - 5 - t_f$		ns
	$t_{v(SPCH-SIMO)M}$	Valid time, SPI <sub>n</sub> SIMO data valid after SPI <sub>n</sub> CLK high (clock polarity = 1)	$t_{c(SPC)M} - 5 - t_r$		
6 <sup>(5)</sup>	$t_{su(SOMI-SPCL)M}$	Setup time, SPI <sub>n</sub> SOMI before SPI <sub>n</sub> CLK low (clock polarity = 0)	6		ns
	$t_{su(SOMI-SPCH)M}$	Setup time, SPI <sub>n</sub> SOMI before SPI <sub>n</sub> CLK high (clock polarity = 1)	6		
7 <sup>(5)</sup>	$t_{v(SPCL-SOMI)M}$	Valid time, SPI <sub>n</sub> SOMI data valid after SPI <sub>n</sub> CLK low (clock polarity = 0)	4		ns
	$t_{v(SPCH-SOMI)M}$	Valid time, SPI <sub>n</sub> SOMI data valid after SPI <sub>n</sub> CLK high (clock polarity = 1)	4		

- (1) The MASTER bit (SPI<sub>n</sub>CTRL2.3) is set and the CLOCK PHASE bit (SPI<sub>n</sub>CTRL2.0) is cleared.
- (2)  $t_{c(ICLK)}$  = interface clock cycle time =  $1/f_{(ICLK)}$
- (3) For rise and fall timings, see the "Switching Characteristics for Output Timings versus Load Capacitance" table.
- (4) When the SPI is in master mode, the following must be true:  
For PS values from 1 to 255:  $t_{c(SPC)M} \geq (PS + 1)t_{c(ICLK)} \geq 100$  ns, where PS is the prescale value set in the SPI<sub>n</sub>CTL1[12:5] register bits.  
For PS values of 0:  $t_{c(SPC)M} = 2t_{c(ICLK)} \geq 100$  ns.
- (5) The active edge of the SPI<sub>n</sub>CLK signal referenced is controlled by the CLOCK POLARITY bit (SPI<sub>n</sub>CTRL2[1]).

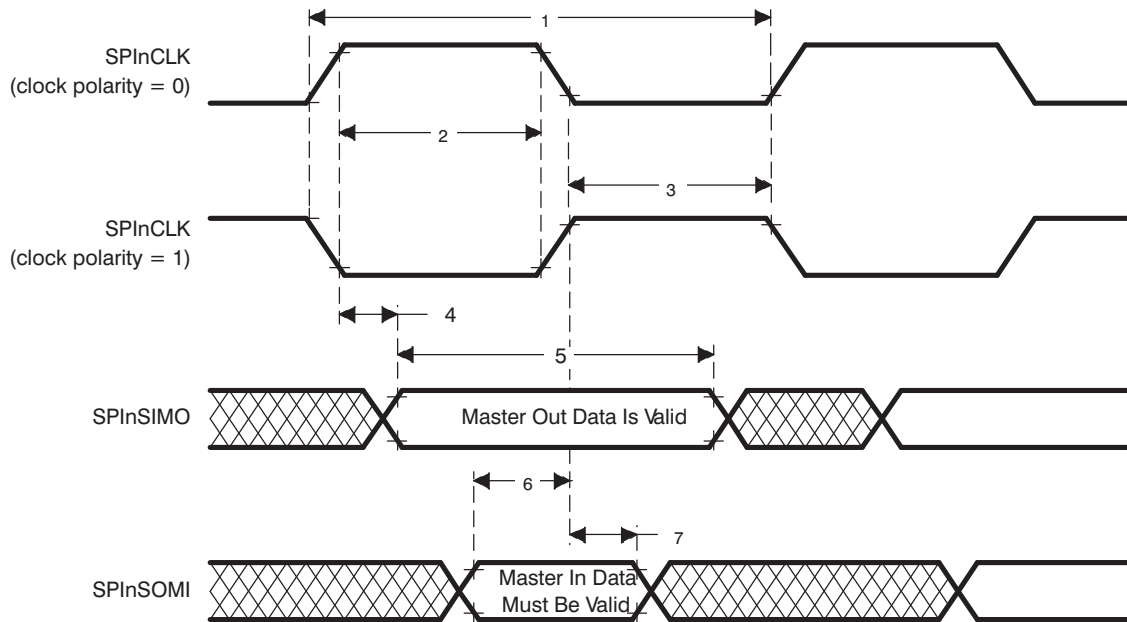


Figure 13. SPI<sub>n</sub> Master Mode External Timing (CLOCK PHASE = 0)

### SPIn Master Mode External Timing Parameters

(CLOCK PHASE = 1, SPInCLK = output, SPInSIMO = output, and SPInSOMI = input)<sup>(1)(2)(3)</sup> (see Figure 14)

NO.			MIN	MAX	UNIT
1	$t_{c(SPC)M}$	Cycle time, SPInCLK <sup>(4)</sup>	100	$256t_{c(ICLK)}$	ns
2 <sup>(5)</sup>	$t_{w(SPCH)M}$	Pulse duration, SPInCLK high (clock polarity = 0)	$0.5t_{c(SPC)M} - t_f$	$0.5t_{c(SPC)M} + 5$	ns
	$t_{w(SPCL)M}$	Pulse duration, SPInCLK low (clock polarity = 1)	$0.5t_{c(SPC)M} - t_f$	$0.5t_{c(SPC)M} + 5$	
3 <sup>(5)</sup>	$t_{w(SPCL)M}$	Pulse duration, SPInCLK low (clock polarity = 0)	$0.5t_{c(SPC)M} - t_f$	$0.5t_{c(SPC)M} + 5$	ns
	$t_{w(SPCH)M}$	Pulse duration, SPInCLK high (clock polarity = 1)	$0.5t_{c(SPC)M} - t_f$	$0.5t_{c(SPC)M} + 5$	
4 <sup>(5)</sup>	$t_{v(SIMO-SPCH)M}$	Valid time, SPInCLK high after SPInSIMO data valid (clock polarity = 0)	$0.5t_{c(SPC)M} - 10$		ns
	$t_{v(SIMO-SPCL)M}$	Valid time, SPInCLK low after SPInSIMO data valid (clock polarity = 1)	$0.5t_{c(SPC)M} - 10$		
5 <sup>(5)</sup>	$t_{v(SPCH-SIMO)M}$	Valid time, SPInSIMO data valid after SPInCLK high (clock polarity = 0)	$0.5t_{c(SPC)M} - 5 - t_f$		ns
	$t_{v(SPCL-SIMO)M}$	Valid time, SPInSIMO data valid after SPInCLK low (clock polarity = 1)	$0.5t_{c(SPC)M} - 5 - t_f$		
6 <sup>(5)</sup>	$t_{su(SOMI-SPCH)M}$	Setup time, SPInSOMI before SPInCLK high (clock polarity = 0)	6		ns
	$t_{su(SOMI-SPCL)M}$	Setup time, SPInSOMI before SPInCLK low (clock polarity = 1)	6		
7 <sup>(5)</sup>	$t_{v(SPCH-SOMI)M}$	Valid time, SPInSOMI data valid after SPInCLK high (clock polarity = 0)	4		ns
	$t_{v(SPCL-SOMI)M}$	Valid time, SPInSOMI data valid after SPInCLK low (clock polarity = 1)	4		

- (1) The MASTER bit (SPInCTRL2.3) is set and the CLOCK PHASE bit (SPInCTRL2.0) is set.
- (2)  $t_{c(ICLK)}$  = interface clock cycle time =  $1/f_{(ICLK)}$
- (3) For rise and fall timings, see the "Switching Characteristics for Output Timings versus Load Capacitance" table.
- (4) When the SPI is in master mode, the following must be true:  
For PS values from 1 to 255:  $t_{c(SPC)M} \geq (PS + 1)t_{c(ICLK)} \geq 100$  ns, where PS is the prescale value set in the SPInCTL1[12:5] register bits.  
For PS values of 0:  $t_{c(SPC)M} = 2t_{c(ICLK)} \geq 100$  ns.
- (5) The active edge of the SPInCLK signal referenced is controlled by the CLOCK POLARITY bit (SPInCTRL2[1]).

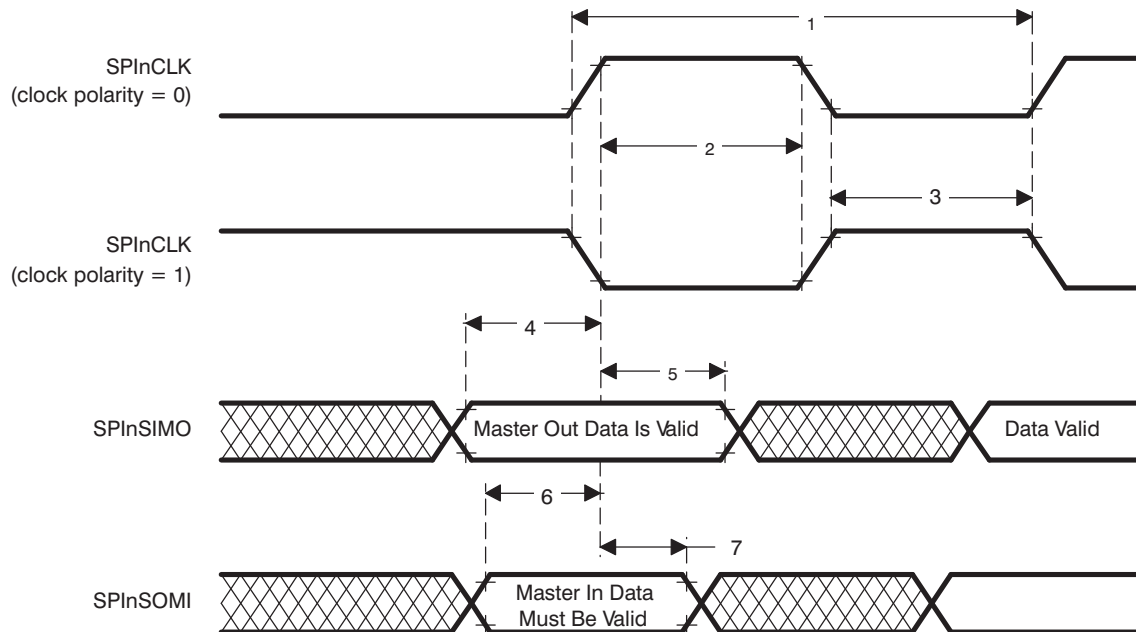


Figure 14. SPIn Master Mode External Timing (CLOCK PHASE = 1)

## SPI<sub>n</sub> SLAVE MODE TIMING PARAMETERS

### SPI<sub>n</sub> Slave Mode External Timing Parameters

(CLOCK PHASE = 0, SPI<sub>n</sub>CLK = input, SPI<sub>n</sub>SIMO = input, and SPI<sub>n</sub>SOMI = output)<sup>(1)(2)(3)(4)</sup> (see Figure 15)

NO.			MIN	MAX	UNIT
1	$t_{c(SPC)S}$	Cycle time, SPI <sub>n</sub> CLK <sup>(5)</sup>	100	$256t_{c(I)CLK}$	ns
2 <sup>(6)</sup>	$t_{w(SPCH)S}$	Pulse duration, SPI <sub>n</sub> CLK high (clock polarity = 0)	$0.5t_{c(SPC)S} - 0.25t_{c(I)CLK}$	$0.5t_{c(SPC)S} + 0.25t_{c(I)CLK}$	ns
	$t_{w(SPCL)S}$	Pulse duration, SPI <sub>n</sub> CLK low (clock polarity = 1)	$0.5t_{c(SPC)S} - 0.25t_{c(I)CLK}$	$0.5t_{c(SPC)S} + 0.25t_{c(I)CLK}$	
3 <sup>(6)</sup>	$t_{w(SPCL)S}$	Pulse duration, SPI <sub>n</sub> CLK low (clock polarity = 0)	$0.5t_{c(SPC)S} - 0.25t_{c(I)CLK}$	$0.5t_{c(SPC)S} + 0.25t_{c(I)CLK}$	ns
	$t_{w(SPCH)S}$	Pulse duration, SPI <sub>n</sub> CLK high (clock polarity = 1)	$0.5t_{c(SPC)S} - 0.25t_{c(I)CLK}$	$0.5t_{c(SPC)S} + 0.25t_{c(I)CLK}$	
4 <sup>(6)</sup>	$t_{d(SPCH-SOMI)S}$	Delay time, SPI <sub>n</sub> CLK high to SPI <sub>n</sub> SOMI valid (clock polarity = 0)		$6 + t_f$	ns
	$t_{d(SPCL-SOMI)S}$	Delay time, SPI <sub>n</sub> CLK low to SPI <sub>n</sub> SOMI valid (clock polarity = 1)		$6 + t_f$	
5 <sup>(6)</sup>	$t_{v(SPCH-SOMI)S}$	Valid time, SPI <sub>n</sub> SOMI data valid after SPI <sub>n</sub> CLK high (clock polarity = 0)	$t_{c(SPC)S} - 6 - t_f$		ns
	$t_{v(SPCL-SOMI)S}$	Valid time, SPI <sub>n</sub> SOMI data valid after SPI <sub>n</sub> CLK low (clock polarity = 1)	$t_{c(SPC)S} - 6 - t_f$		
6 <sup>(6)</sup>	$t_{su(SIMO-SPCL)S}$	Setup time, SPI <sub>n</sub> SIMO before SPI <sub>n</sub> CLK low (clock polarity = 0)	6		ns
	$t_{su(SIMO-SPCH)S}$	Setup time, SPI <sub>n</sub> SIMO before SPI <sub>n</sub> CLK high (clock polarity = 1)	6		
7 <sup>(6)</sup>	$t_{v(SPCL-SIMO)S}$	Valid time, SPI <sub>n</sub> SIMO data valid after SPI <sub>n</sub> CLK low (clock polarity = 0)	6		ns
	$t_{v(SPCH-SIMO)S}$	Valid time, SPI <sub>n</sub> SIMO data valid after SPI <sub>n</sub> CLK high (clock polarity = 1)	6		

- (1) The MASTER bit (SPI<sub>n</sub>CTRL2.3) is cleared and the CLOCK PHASE bit (SPI<sub>n</sub>CTRL2.0) is cleared.
- (2) If the SPI is in slave mode, the following must be true:  $t_{c(SPC)S} \geq (PS + 1) t_{c(I)CLK}$ , where PS = prescale value set in SPI<sub>n</sub>CTL1[12:5].
- (3) For rise and fall timings, see the "Switching Characteristics for Output Timings versus Load Capacitance" table.
- (4)  $t_{c(I)CLK} = \text{interface clock cycle time} = 1/f_{(I)CLK}$
- (5) When the SPI<sub>n</sub> is in slave mode, the following must be true:  
For PS values from 1 to 255:  $t_{c(SPC)S} \geq (PS + 1)t_{c(I)CLK} \geq 100$  ns, where PS is the prescale value set in the SPI<sub>n</sub>CTL1[12:5] register bits.  
For PS values of 0:  $t_{c(SPC)S} = 2t_{c(I)CLK} \geq 100$  ns.
- (6) The active edge of the SPI<sub>n</sub>CLK signal referenced is controlled by the CLOCK POLARITY bit (SPI<sub>n</sub>CTRL2[1]).

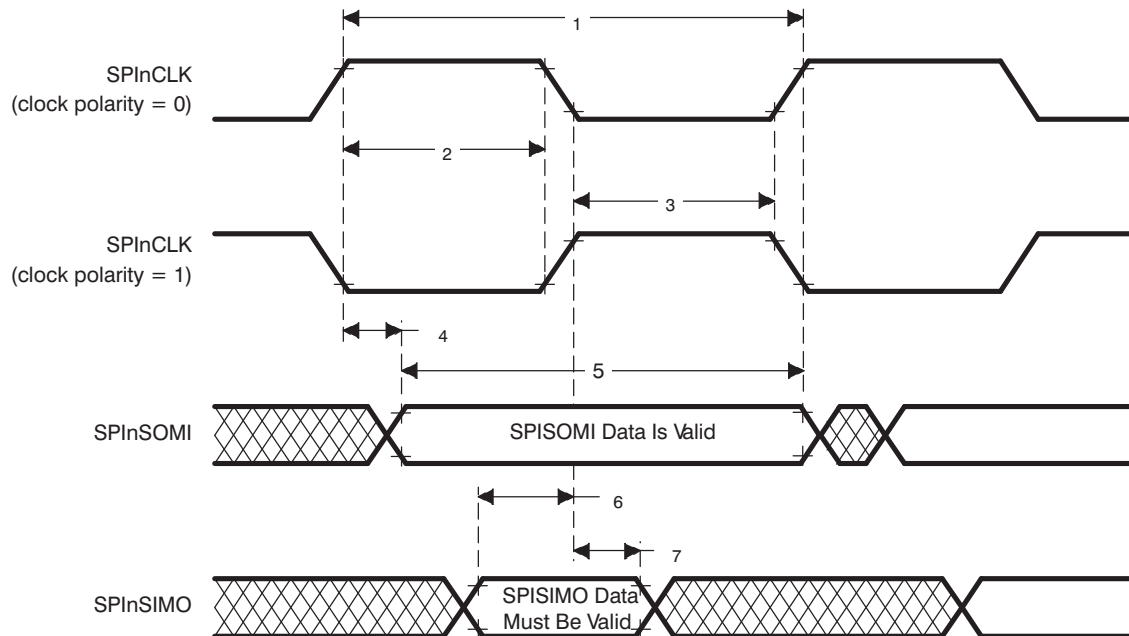


Figure 15. SPI<sub>n</sub> Slave Mode External Timing (CLOCK PHASE = 0)

### SPIn Slave Mode External Timing Parameters

(CLOCK PHASE = 1, SPInCLK = input, SPInSIMO = input, and SPInSOMI = output)<sup>(1)(2)(3)(4)</sup> (see Figure 16)

NO.			MIN	MAX	UNIT
1	$t_{c(SPC)S}$	Cycle time, SPInCLK <sup>(5)</sup>	100	$256t_{c(ICLK)}$	ns
2 <sup>(6)</sup>	$t_{w(SPCH)S}$	Pulse duration, SPInCLK high (clock polarity = 0)	$0.5t_{c(SPC)S} - 0.25t_{c(ICLK)}$	$0.5t_{c(SPC)S} + 0.25t_{c(ICLK)}$	ns
	$t_{w(SPCL)S}$	Pulse duration, SPInCLK low (clock polarity = 1)	$0.5t_{c(SPC)S} - 0.25t_{c(ICLK)}$	$0.5t_{c(SPC)S} + 0.25t_{c(ICLK)}$	
3 <sup>(6)</sup>	$t_{w(SPCL)S}$	Pulse duration, SPInCLK low (clock polarity = 0)	$0.5t_{c(SPC)S} - 0.25t_{c(ICLK)}$	$0.5t_{c(SPC)S} + 0.25t_{c(ICLK)}$	ns
	$t_{w(SPCH)S}$	Pulse duration, SPInCLK high (clock polarity = 1)	$0.5t_{c(SPC)S} - 0.25t_{c(ICLK)}$	$0.5t_{c(SPC)S} + 0.25t_{c(ICLK)}$	
4 <sup>(6)</sup>	$t_{v(SOMI-SPCH)S}$	Valid time, SPInCLK high after SPInSOMI data valid (clock polarity = 0)	$0.5t_{c(SPC)S} - 6 - t_r$		ns
	$t_{v(SOMI-SPCL)S}$	Valid time, SPInCLK low after SPInSOMI data valid (clock polarity = 1)	$0.5t_{c(SPC)S} - 6 - t_f$		
5 <sup>(6)</sup>	$t_{v(SPCH-SOMI)S}$	Valid time, SPInSOMI data valid after SPInCLK high (clock polarity = 0)	$0.5t_{c(SPC)S} - 6 - t_r$		ns
	$t_{v(SPCL-SOMI)S}$	Valid time, SPInSOMI data valid after SPInCLK low (clock polarity = 1)	$0.5t_{c(SPC)S} - 6 - t_f$		
6 <sup>(6)</sup>	$t_{su(SIMO-SPCH)S}$	Setup time, SPInSIMO before SPInCLK high (clock polarity = 0)	6		ns
	$t_{su(SIMO-SPCL)S}$	Setup time, SPInSIMO before SPInCLK low (clock polarity = 1)	6		
7 <sup>(6)</sup>	$t_{v(SPCH-SIMO)S}$	Valid time, SPInSIMO data valid after SPInCLK high (clock polarity = 0)	6		ns
	$t_{v(SPCL-SIMO)S}$	Valid time, SPInSIMO data valid after SPInCLK low (clock polarity = 1)	6		

- (1) The MASTER bit (SPInCTRL2.3) is cleared and the CLOCK PHASE bit (SPInCTRL2.0) is set.
- (2) If the SPI is in slave mode, the following must be true:  $t_{c(SPC)S} \geq (PS + 1) t_{c(ICLK)}$ , where PS = prescale value set in SPInCTL1[12:5].
- (3) For rise and fall timings, see the "Switching Characteristics for Output Timings versus Load Capacitance" table.
- (4)  $t_{c(ICLK)}$  = interface clock cycle time =  $1/f_{(ICLK)}$
- (5) When the SPIn is in slave mode, the following must be true:  
For PS values from 1 to 255:  $t_{c(SPC)S} \geq (PS + 1)t_{c(ICLK)} \geq 100$  ns, where PS is the prescale value set in the SPInCTL1[12:5] register bits.  
For PS values of 0:  $t_{c(SPC)S} = 2t_{c(ICLK)} \geq 100$  ns.
- (6) The active edge of the SPInCLK signal referenced is controlled by the CLOCK POLARITY bit (SPInCTRL2[1]).

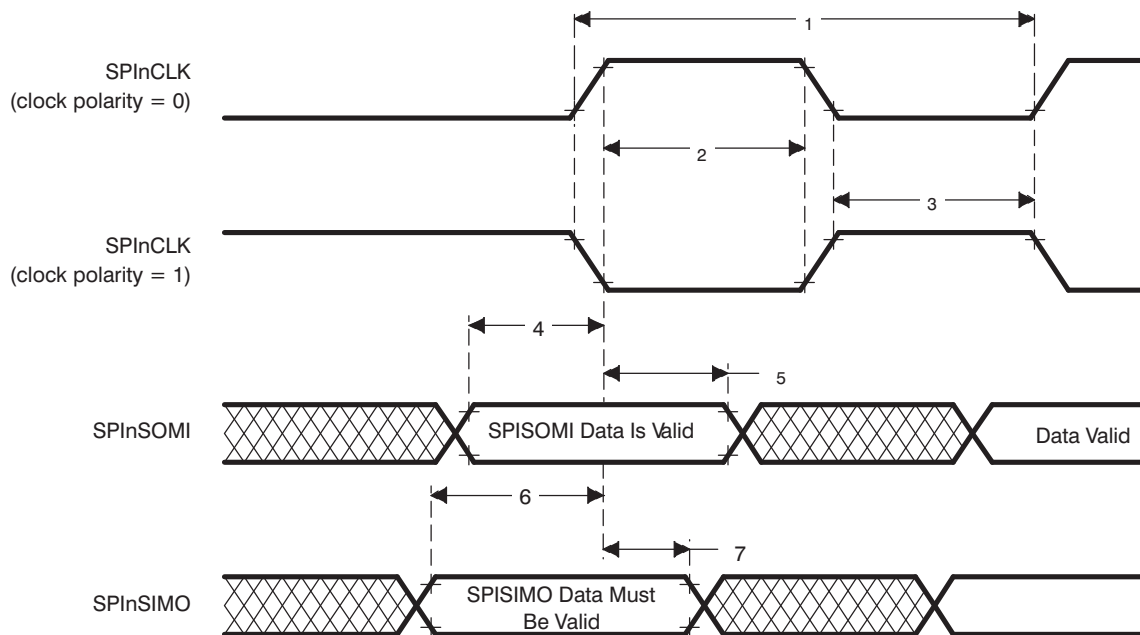


Figure 16. SPIn Slave Mode External Timing (CLOCK PHASE = 1)

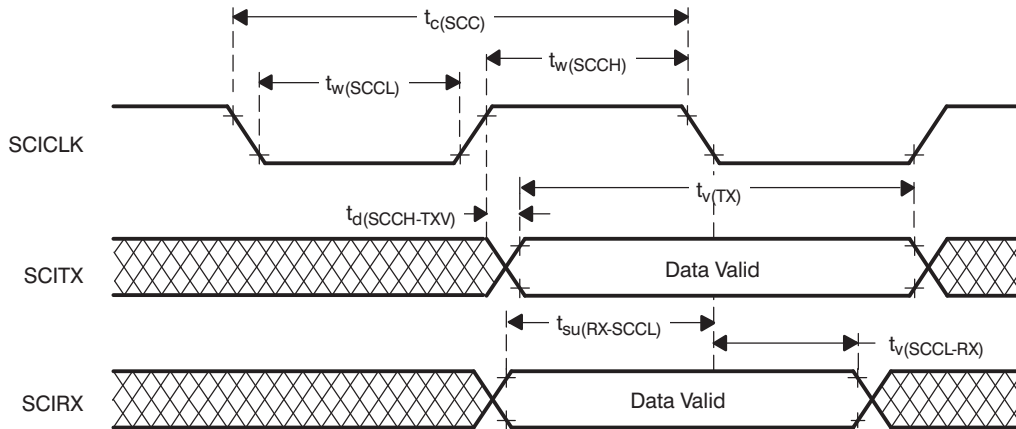
### SCI<sub>n</sub> ISOSYNCHRONOUS MODE TIMINGS INTERNAL CLOCK

#### Timing Requirements for Internal Clock SCI<sub>n</sub> Isosynchronous Mode<sup>(1)(2)(3)</sup>

(see Figure 17)

		(BAUD + 1) IS EVEN OR BAUD = 0		(BAUD + 1) IS ODD AND BAUD ≠ 0		UNIT
		MIN	MAX	MIN	MAX	
$t_{c(SCC)}$	Cycle time, SCI <sub>n</sub> CLK	$2t_{c(ICLK)}$	$2^{24} t_{c(ICLK)}$	$3t_{c(ICLK)}$	$(2^{24} - 1) t_{c(ICLK)}$	ns
$t_w(SCCL)$	Pulse duration, SCI <sub>n</sub> CLK low	$0.5t_{c(SCC)} - t_f$	$0.5t_{c(SCC)} + 5$	$0.5t_{c(SCC)} + 0.5t_{c(ICLK)} - t_f$	$0.5t_{c(SCC)} + 0.5t_{c(ICLK)}$	ns
$t_w(SCCH)$	Pulse duration, SCI <sub>n</sub> CLK high	$0.5t_{c(SCC)} - t_f$	$0.5t_{c(SCC)} + 5$	$0.5t_{c(SCC)} - 0.5t_{c(ICLK)} - t_f$	$0.5t_{c(SCC)} - 0.5t_{c(ICLK)}$	ns
$t_d(SCCH-TXV)$	Delay time, SCI <sub>n</sub> CLK high to SCI <sub>n</sub> TX valid		10		10	ns
$t_v(TX)$	Valid time, SCI <sub>n</sub> TX data after SCI <sub>n</sub> CLK low	$t_{c(SCC)} - 10$		$t_{c(SCC)} - 10$		ns
$t_{su}(RX-SCCL)$	Setup time, SCI <sub>n</sub> RX before SCI <sub>n</sub> CLK low	$t_{c(ICLK)} + t_f + 20$		$t_{c(ICLK)} + t_f + 20$		ns
$t_v(SCCL-RX)$	Valid time, SCI <sub>n</sub> RX data after SCI <sub>n</sub> CLK low	$-t_{c(ICLK)} + t_f + 20$		$-t_{c(ICLK)} + t_f + 20$		ns

- (1) BAUD = 24-bit concatenated value formed by the SCI[H,M,L]BAUD registers.
- (2)  $t_{c(ICLK)}$  = interface clock cycle time =  $1/f_{(ICLK)}$
- (3) For rise and fall timings, see the "Switching Characteristics for Output Timings versus Load Capacitance" table.



- A. Data transmission/reception characteristics for isosynchronous mode with internal clocking are similar to the asynchronous mode. Data transmission occurs on the SCICLK rising edge, and data reception occurs on the SCICLK falling edge.

**Figure 17. SCI<sub>n</sub> Isosynchronous Mode Timing Diagram for Internal Clock**

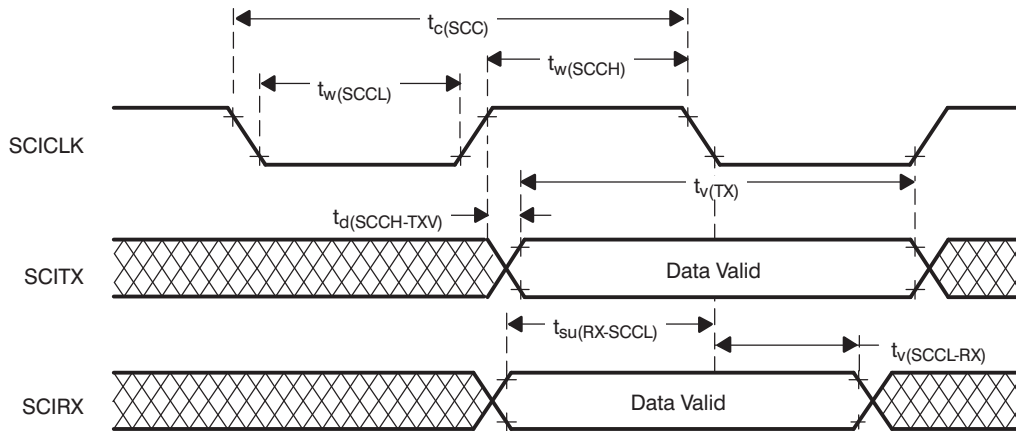
### SCIn ISOSYNCHRONOUS MODE TIMINGS EXTERNAL CLOCK

#### Timing Requirements for External Clock SCIn Isosynchronous Mode<sup>(1)(2)</sup>

(see Figure 18)

		MIN	MAX	UNIT
$t_{c(SCC)}$	Cycle time, SCInCLK <sup>(3)</sup>	$8t_{c(ICK)}$		ns
$t_{w(SCCH)}$	Pulse duration, SCInCLK high	$0.5t_{c(SCC)} - 0.25t_{c(ICK)}$	$0.5t_{c(SCC)} + 0.25t_{c(ICK)}$	ns
$t_{w(SCCL)}$	Pulse duration, SCInCLK low	$0.5t_{c(SCC)} - 0.25t_{c(ICK)}$	$0.5t_{c(SCC)} + 0.25t_{c(ICK)}$	ns
$t_{d(SCCH-TXV)}$	Delay time, SCInCLK high to SCInTX valid		$2t_{c(ICK)} + 12 + t_r$	ns
$t_{v(TX)}$	Valid time, SCInTX data after SCInCLK low	$2t_{c(SCC)} - 10$		ns
$t_{su(RX-SCCL)}$	Setup time, SCInRX before SCInCLK low	0		ns
$t_{v(SCCL-RX)}$	Valid time, SCInRX data after SCInCLK low	$2t_{c(ICK)} + 10$		ns

- (1)  $t_{c(ICK)}$  = interface clock cycle time =  $1/f_{(ICK)}$
- (2) For rise and fall timings, see the "Switching Characteristics for Output Timings versus Load Capacitance" table.
- (3) When driving an external SCInCLK, the following must be true:  $t_{c(SCC)} \geq 8t_{c(ICK)}$ .



- A. Data transmission / reception characteristics for isosynchronous mode with external clocking are similar to the asynchronous mode. Data transmission occurs on the SCICLK rising edge, and data reception occurs on the SCICLK falling edge.

Figure 18. SCIn Isosynchronous Mode Timing Diagram for External Clock

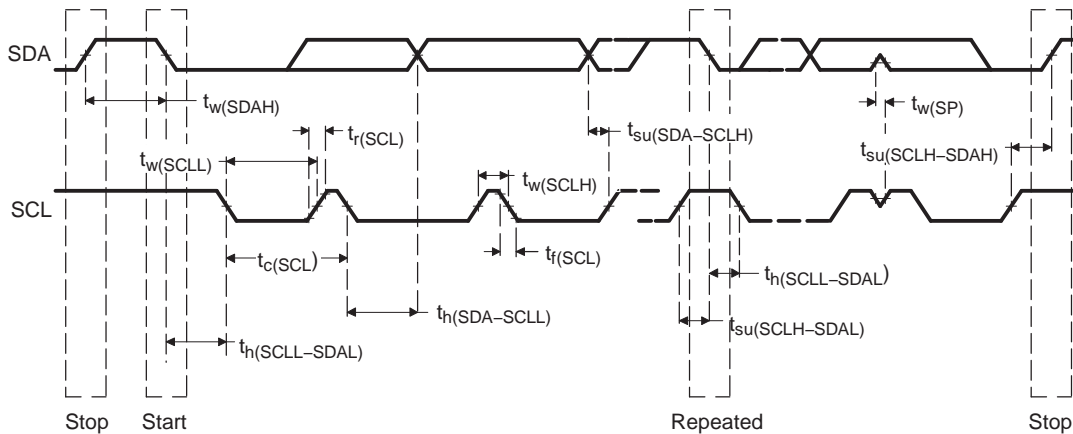
## I2C TIMING

Table 11 below assumes testing over recommended operating conditions.

**Table 11. I2C Signals (SDA and SCL) Switching Characteristics<sup>(1)</sup>**

PARAMETER		STANDARD MODE		FAST MODE		UNIT
		MIN	MAX	MIN	MAX	
$t_{c(I2CCLK)}$	Cycle time, I2C module clock	75	150	75	150	ns
$t_{c(SCL)}$	Cycle time, SCL	10		2.5		$\mu$ s
$t_{su(SCLH-SDAL)}$	Setup time, SCL high before SDA low (for a repeated START condition)	4.7		0.6		$\mu$ s
$t_h(SCLL-SDAL)$	Hold time, SCL low after SDA low (for a repeated START condition)	4		0.6		$\mu$ s
$t_w(SCLL)$	Pulse duration, SCL low	4.7		1.3		$\mu$ s
$t_w(SCLH)$	Pulse duration, SCL high	4		0.6		$\mu$ s
$t_{su(SDA-SCLH)}$	Setup time, SDA valid before SCL high	250		100		ns
$t_h(SDA-SCLL)$	Hold time, SDA valid after SCL low	0	3.45 <sup>(2)</sup>	0	0.9	$\mu$ s
$t_w(SDAH)$	Pulse duration, SDA high between STOP and START conditions	4.7		1.3		$\mu$ s
$t_{su(SCLH-SDAH)}$	Setup time, SCL high before SDA high (for STOP condition)	4.0		0.6		$\mu$ s
$t_w(SP)$	Pulse duration, spike (must be suppressed)			0	50	ns
$C_b$ <sup>(3)</sup>	Capacitive load for each bus line		400		400	pF

- (1) The I2C pins SDA and SCL do not feature fail-safe I/O buffers. These pins could potentially draw current when the device is powered down.
- (2) The maximum  $t_h(SDA-SCLL)$  for I2C bus devices needs to be met only if the device does not stretch the low period ( $t_w(SCLL)$ ) of the SCL signal.
- (3)  $C_b$  = The total capacitance of one bus line in pF.



- A. A device must internally provide a hold time of at least 300 ns for the SDA signal (referred to the  $V_{IHmin}$  of the SCL signal) to bridge the undefined region of the falling edge of SCL.
- B. The maximum  $t_h(SDA-SCLL)$  needs only be met if the device does not stretch the LOW period ( $t_w(SCLL)$ ) of the SCL signal.
- C. A fast-mode I2C-bus device can be used in a standard-mode I2C-bus system, but the requirement  $t_{su(SDA-SCLH)} \geq 250$  ns must then be met. This will automatically be the case if the device does not stretch the LOW period of the SCL signal. If such a device does stretch the LOW period of the SCL signal, it must output the next data bit to the SDA line  $t_r \max + t_{su(SDA-SCLH)}$ .
- D.  $C_b$  = total capacitance of one bus line in pF. If mixed with HS-mode devices, faster fall-times are allowed.

**Figure 19. I2C Timings**



## STANDARD CAN CONTROLLER (SCC) MODE TIMINGS

### Dynamic Characteristics for the CANSTX and CANSRX Pins

PARAMETER		MIN	MAX	UNIT
$t_{d(CANSTX)}$	Delay time, transmit shift register to CANSTX pin <sup>(1)</sup>		15	ns
$t_{d(CANSRX)}$	Delay time, CANSRX pin to receive shift register		5	ns

(1) These values do not include the rise/fall times of the output buffer.

## EXPANSION BUS MODULE TIMING

### Expansion Bus Timing Parameters, $-40^{\circ}\text{C} \leq T_J \leq 150^{\circ}\text{C}$ , $3.0\text{ V} \leq V_{CC} \leq 3.6\text{ V}$

(see [Figure 20](#) and [Figure 21](#))

		MIN	MAX	UNIT
$t_{c(CO)}$	Cycle time, CLKOUT	20.8		ns
$t_{d(COH-EBADV)}$	Delay time, CLKOUT high to EBADDR valid		21.4	ns
$t_{h(COH-EBADIV)}$	Hold time, EBADDR invalid after CLKOUT high		12.4	ns
$t_{d(COH-EBOE)}$	Delay time, CLKOUT high to $\overline{\text{EBOE}}$ fall		11.4	ns
$t_{h(COH-EBOEH)}$	Hold time, $\overline{\text{EBOE}}$ rise after CLKOUT high		11.4	ns
$t_{d(COL-EBWR)}$	Delay time, CLKOUT low to write strobe ( $\overline{\text{EBWR}}$ ) low		11.3	ns
$t_{h(COL-EBWRH)}$	Hold time, $\overline{\text{EBWR}}$ high after CLKOUT low		11.6	ns
$t_{su(EBRDATV-COH)}$	Setup time, EBDATA valid before CLKOUT high (READ) <sup>(1)</sup>	15.2		ns
$t_{h(COH-EBRDATIV)}$	Hold time, EBDATA invalid after CLKOUT high (READ)		(-14.7)	ns
$t_{d(COL-EBWDATV)}$	Delay time, CLKOUT low to EBDATA valid (WRITE) <sup>(2)</sup>		16.1	ns
$t_{h(COL-EBWDATIV)}$	Hold time, EBDATA invalid after CLKOUT low (WRITE)		14.7	ns
<b>SECONDARY TIMES</b>				
$t_{d(COH-EBCS0)}$	Delay, CLKOUT high to $\overline{\text{EBCS0}}$ fall		13.6	ns
$t_{h(COH-EBCS0H)}$	Hold, $\overline{\text{EBCS0}}$ rise after CLKOUT high		13.2	ns
$t_{su(COH-EBHOLDL)}$	Setup time, $\overline{\text{EBHOLD}}$ low to CLKOUT high <sup>(1)</sup>	10.9		ns
$t_{su(COH-EBHOLDH)}$	Setup time, $\overline{\text{EBHOLD}}$ high to CLKOUT high <sup>(1)</sup>	10.5		ns

(1) Setup time is the minimum time under worst case conditions. Data with less setup time does not work.

(2) Valid after CLKOUT goes low for write cycles.

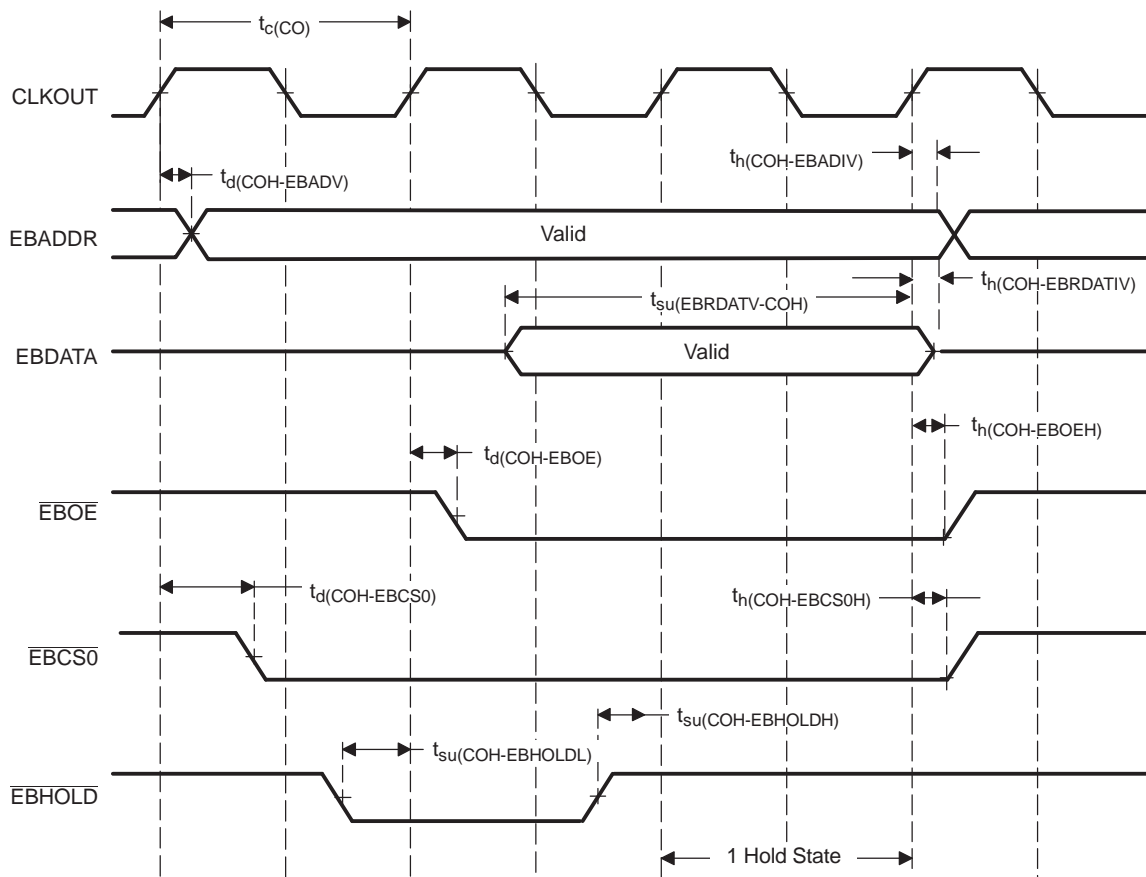


Figure 20. Expansion Memory Signal Timing - Reads

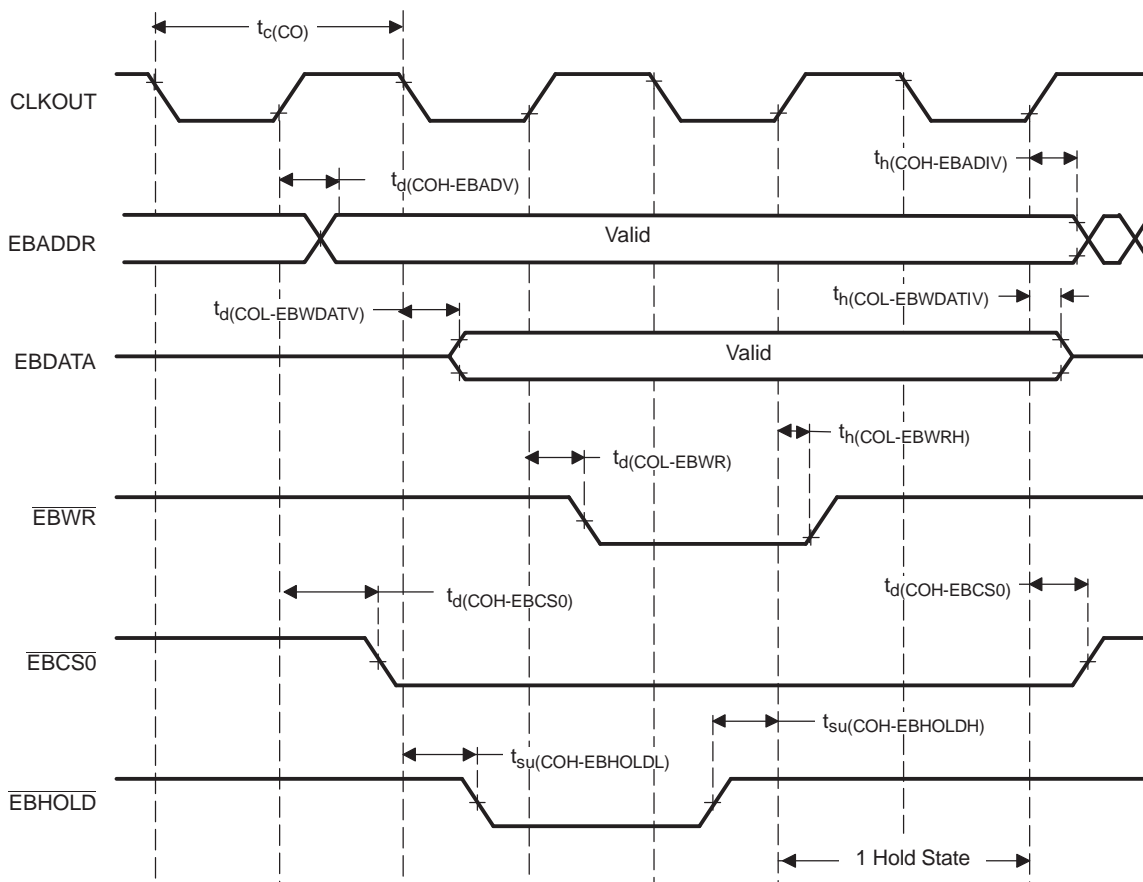


Figure 21. Expansion Memory Signal Timing - Writes

## CLASS 2 SERIAL INTERFACE B (C2SIb) VARIABLE PULSE WIDTH (VPW) MODULATION

### VPW Timing Requirements

See [Figure 22](#).

PARAMETER		NORMAL MODE (10.4 KBPS)				4X MODE (41.6 KBPS)				UNIT
		TX		RX		TX		RX		
		MIN	MAX	MIN	MAX	MIN	MAX	MIN	MAX	
SOF	Start of frame	192	208	163	239	48	52	41	60	ns
Short Pulse	Low = 0	60	68	34	96	14	18	9	24	ns
	High = 1									
Long Pulse	Low = 0	122	134	97	163	30	34	24	41	ns
	High = 1									
EOD	End of data	193	207	164	239	48	52	41	60	ns
NB	Normalization bit (long)	122	134	97	163	30	34	24	41	ns
	Normalization bit (short)	60	68	34	96	14	18	9	24	
EOF	End of frame	271	289	240	320	67	73	60	80	ns
Break	Short	290	-	239	-	290	-	60	-	ns
	Long	758	-	239	-	758	-	60	-	

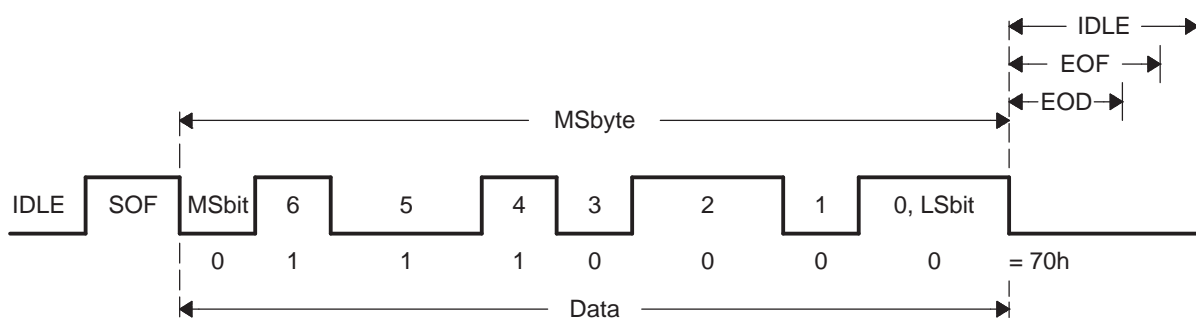


Figure 22. C2SIb Timing Diagram

## HIGH-END TIMER (HET) TIMINGS

### Minimum PWM Output Pulse Width:

This is equal to one high resolution clock period (HRP). The HRP is defined by the 6-bit high resolution prescale factor (hr), which is user defined, giving prescale factors of 1 to 64, with a linear increment of codes.

Therefore, the minimum PWM output pulse width =  $HRP(\min) = hr(\min)/SYSCLK = 1/SYSCLK$

For example, for a SYSCLK of 30 MHz, the minimum PWM output pulse width =  $1/30 = 33.33\text{ns}$

### Minimum Input Pulses that Can Be Captured:

The input pulse width must be greater or equal to the low resolution clock period (LRP), i.e., the HET loop (the HET program must fit within the LRP). The LRP is defined by the 3-bit loop-resolution prescale factor (lr), which is user defined, with a power of 2 increment of codes. That is, the value of lr can be 1, 2, 4, 8, 16, or 32.

Therefore, the minimum input pulse width =  $LRP(\min) = hr(\min) * lr(\min)/SYSCLK = 1 * 1/SYSCLK$

For example, with a SYSCLK of 30 MHz, the minimum input pulse width =  $1 * 1/30 = 33.33 \text{ ns}$

#### NOTE:

Once the input pulse width is greater than LRP, the resolution of the measurement is still HRP. (That is, the captured value gives the number of HRP clocks inside the pulse.)

#### Abbreviations:

hr = HET high resolution divide rate = 1, 2, 3,...63, 64

lr = HET low resolution divide rate = 1, 2, 4, 8, 16, 32

High resolution clock period =  $HRP = hr/SYSCLK$

Loop resolution clock period =  $LRP = hr*lr/SYSCLK$

## MULTI-BUFFERED A-TO-D CONVERTER (MibADC)

The multi-buffered A-to-D converter (MibADC) has a separate power bus for its analog circuitry that enhances the A-to-D performance by preventing digital switching noise on the logic circuitry, which could be present on  $V_{SS}$  and  $V_{CC}$ , from coupling into the A-to-D analog stage. All A-to-D specifications are given with respect to  $AD_{REFLO}$  unless otherwise noted.

Resolution	10 bits (1024 values)
Monotonic	Assured
Output conversion code	00h to 3FFh [00 for $V_{AI} \leq AD_{REFLO}$ ; 3FFh for $V_{AI} \geq AD_{REFHI}$ ]

**Table 12. MibADC Recommended Operating Conditions<sup>(1)</sup>**

		MIN	MAX	UNIT
$AD_{REFHI}$	A-to-D high-voltage reference source	$V_{SSAD}$	$V_{CCAD}$	V
$AD_{REFLO}$	A-to-D low-voltage reference source	$V_{SSAD}$	$V_{CCAD}$	V
$V_{AI}$	Analog input voltage	$V_{SSAD} - 0.3$	$V_{CCAD} + 0.3$	V
$I_{AIC}$	Analog input clamp current <sup>(2)</sup> ( $V_{AI} < V_{SSAD} - 0.3$ or $V_{AI} > V_{CCAD} + 0.3$ )	-2	2	mA

(1) For  $V_{CCAD}$  and  $V_{SSAD}$  recommended operating conditions, see the "Device Recommended Operating Conditions" table.

(2) Input currents into any ADC input channel outside the specified limits could affect conversion results of other channels.

**Table 13. Operating Characteristics Over Full Ranges of Recommended Operating Conditions<sup>(1)(2)</sup>**

PARAMETER	DESCRIPTION/CONDITIONS	MIN	TYP	MAX	UNIT	
$R_i$	Analog input resistance		250	500	$\Omega$	
$C_i$	Analog input capacitance	See Figure 23.	Conversion		10	pF
			Sampling		30	pF
$I_{AIL}$	Analog input leakage current	See Figure 23.	-1	1	$\mu$ A	
$I_{ADREFHI}$	$AD_{REFHI}$ input current	$AD_{REFHI} = 3.6$ V, $AD_{REFLO} = V_{SSAD}$		5	mA	
CR	Conversion range over which specified accuracy is maintained	$AD_{REFHI} - AD_{REFLO}$		3	3.6	V
$E_{DNL}$	Differential nonlinearity error	Difference between the actual step width and the ideal value. See Figure 24.		$\pm 2$	LSB	
$E_{INL}$	Integral nonlinearity error	Maximum deviation from the best straight line through the MibADC. MibADC transfer characteristics, excluding the quantization error. See Figure 25.		$\pm 2$	LSB	
$E_{TOT}$	Total error/absolute accuracy	Maximum value of the difference between an analog value and the ideal midstep value. See Figure 26.		$\pm 2$	LSB	

(1)  $V_{CCAD} = AD_{REFHI}$

(2)  $1 \text{ LSB} = (AD_{REFHI} - AD_{REFLO})/2^{10}$  for the MibADC

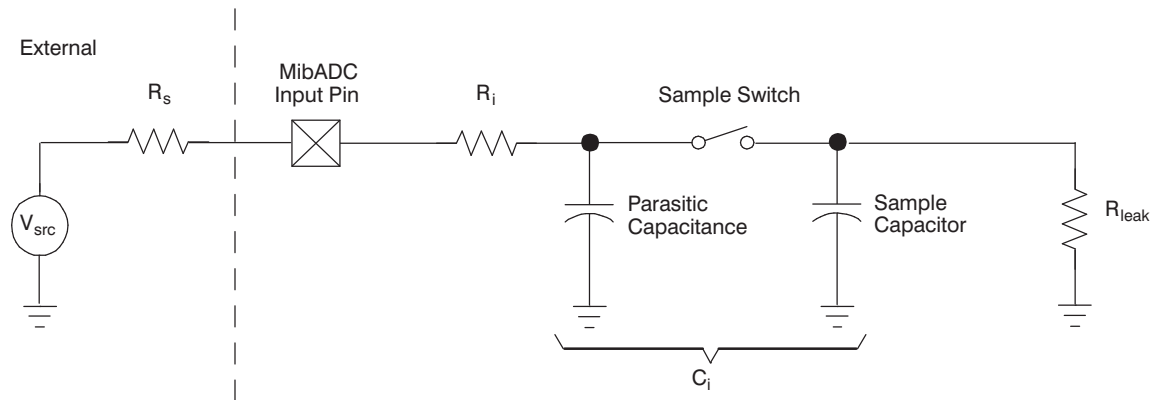


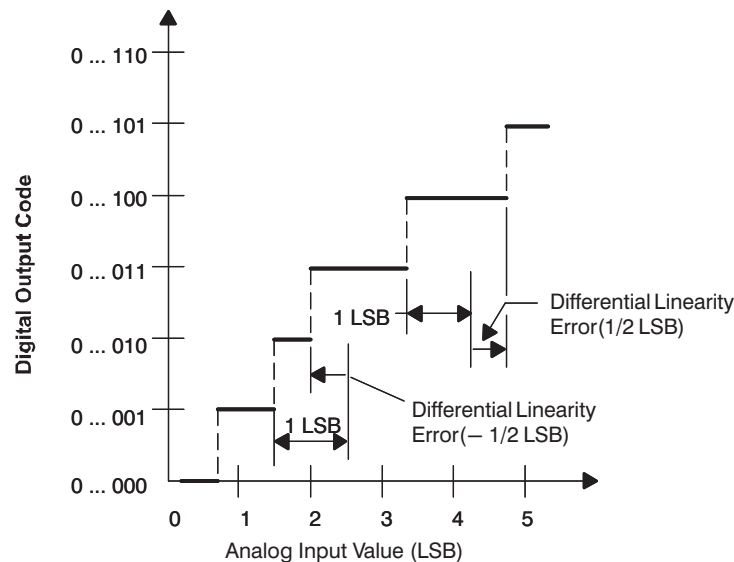
Figure 23. MibADC Input Equivalent Circuit

### Multi-Buffer ADC Timing Requirements

		MIN	NOM	MAX	UNIT
$t_{c(ADCLK)}$	Cycle time, MibADC clock	0.05			$\mu\text{s}$
$t_{d(SH)}$	Delay time, sample and hold time	1			$\mu\text{s}$
$t_{d(C)}$	Delay time, conversion time	0.55			$\mu\text{s}$
$t_{d(SHC)}^{(1)}$	Delay time, total sample/hold and conversion time	1.55			$\mu\text{s}$

(1) This is the minimum sample/hold and conversion time that can be achieved. These parameters are dependent on many factors; for more details, see the *TMS470R1x Multi-Buffered Analog-to-Digital Converter (MibADC) Reference Guide* (literature number SPNU206).

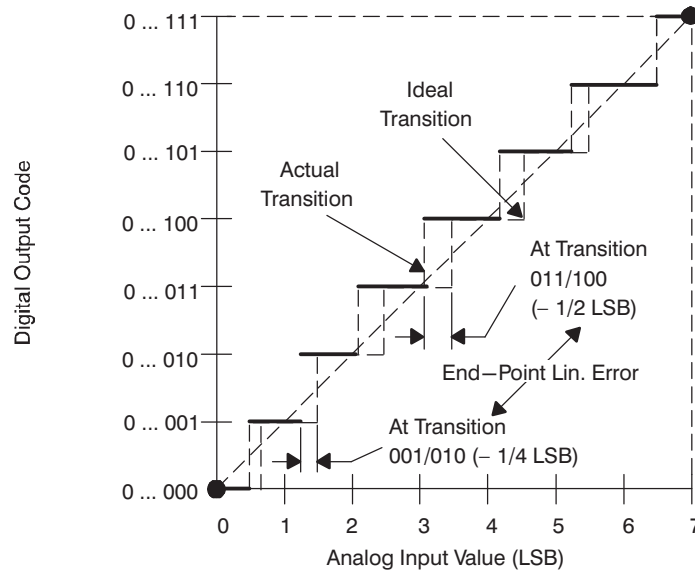
The differential nonlinearity error shown in Figure 24 (sometimes referred to as differential linearity) is the difference between an actual step width and the ideal value of 1 LSB.



A.  $1 \text{ LSB} = (AD_{REFHI} - AD_{REFLO})/2^{10}$

Figure 24. Differential Nonlinearity (DNL)

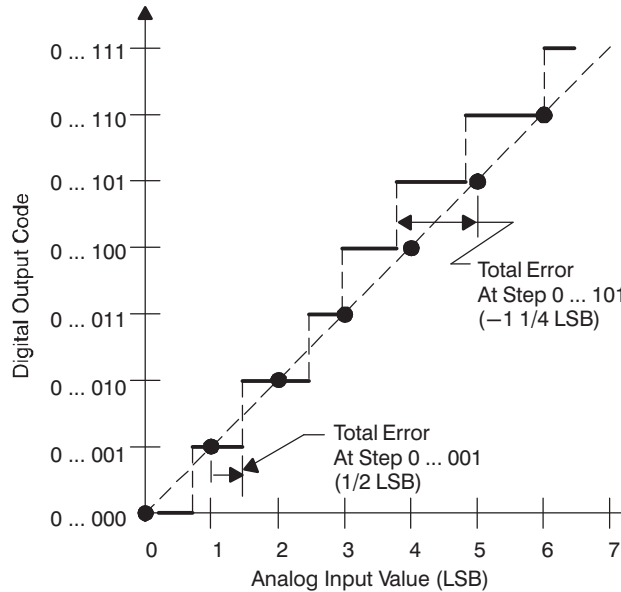
The integral nonlinearity error shown in [Figure 25](#) (sometimes referred to as linearity error) is the deviation of the values on the actual transfer function from a straight line.



A.  $1 \text{ LSB} = (AD_{REFHI} - AD_{REFLO})/2^{10}$

**Figure 25. Integral Nonlinearity (INL) Error**

The absolute accuracy or total error of an MibADC as shown in [Figure 26](#) is the maximum value of the difference between an analog value and the ideal midstep value.



A.  $1 \text{ LSB} = (AD_{REFHI} - AD_{REFLO})/2^{10}$

**Figure 26. Absolute Accuracy (Total) Error**



**PGE Thermal Resistance Characteristics**

PARAMETER	°C/W
$R_{\theta JA}$	43
$R_{\theta JC}$	5

**PZ Thermal Resistance Characteristics**

PARAMETER	°C/W
$R_{\theta JA}$	48
$R_{\theta JC}$	5

## Revision History

This revision history highlights the changes made to the device-specific datasheet SPNS110.

**Table 14. Revision History**

<b>SPNS110D to SPNS110E</b>
Corrected the device-specific part number from 0100001 to 0101101 in <a href="#">Table 10</a> .
<b>SPNS110C to SPNS110D</b>
Removed reference to GIOH[5:0] in <a href="#">Terminal Functions</a> table.
Changed Output Current for AWD terminal from 8 mA to 4 mA in <a href="#">Terminal Functions</a> table.
Changed beginning address for Peripheral Control Registers to 0xFFFF0_0000 in <a href="#">Figure 1</a> .
Changed register value in <a href="#">Device Identification Code Register</a>
Changed unit for "V <sub>CC</sub> digital supply current (standby mode)" from $\mu$ A to mA in <a href="#">Electrical Characteristics</a> .
<b>SPNS110B to SPNS110C</b>
Removed references to digital watchdog (DWD) on page 5.
<b>SPNS110A to SPNS110B</b>
Revised the Family Nomenclature drawing to add Q version of the temperature range.
Revised "Absolute Maximum Ratings" table to add Q version of the temperature range.
Revised "Device Recommended Operating Conditions" table to add Q version of the temperature range.
Revised "Electrical Characteristics" table to add T and Q temperature versions to I <sub>CC</sub> specification. Changed T version I <sub>CC</sub> , standby mode, max to 1. Added Q version I <sub>CC</sub> standby mode, max of 1.25. Changed T version I <sub>CC</sub> , halt mode, max to 365. Added Q version I <sub>CC</sub> halt mode, max of 550.
Added note to $\overline{\text{PORRST}}$ Timing Diagram.
Changed T <sub>A</sub> range to –40°C to 125°C on t <sub>wec</sub> in "Timing Requirements for Program Flash" table.
Added t <sub>wec</sub> MIN value of 50000 and deleted TYP value in "Timing Requirements for Program Flash" table.
Changed t <sub>erase(sector)</sub> TYP value to 1.7 and removed MAX value in "Timing Requirements for Program Flash" table.
<b>SPNS110 to SPNS110A</b>
Corrected max value for I <sub>CC</sub> standby and halt modes in Electrical Characteristics table.

**PACKAGING INFORMATION**

Orderable Device	Status (1)	Package Type	Package Drawing	Pins	Package Qty	Eco Plan (2)	Lead/Ball Finish (6)	MSL Peak Temp (3)	Op Temp (°C)	Device Marking (4/5)	Samples
TMS470R1A384PGEQ	NRND	LQFP	PGE	144		TBD	Call TI	Call TI		470R1A384PGEQ TMS	
TMS470R1A384PGET	NRND	LQFP	PGE	144	60	Green (RoHS & no Sb/Br)	CU NIPDAU	Level-3-260C-168 HR		470R1A384PGET TMS	
TMS470R1A384PZ-T	NRND	LQFP	PZ	100	90	Green (RoHS & no Sb/Br)	CU NIPDAU	Level-3-260C-168 HR		470R1A384PZ-T TMS	
TMS470R1A384PZQ	NRND	LQFP	PZ	100		TBD	Call TI	Call TI		470R1A384PZQ TMS	

(1) The marketing status values are defined as follows:

**ACTIVE:** Product device recommended for new designs.

**LIFEBUY:** TI has announced that the device will be discontinued, and a lifetime-buy period is in effect.

**NRND:** Not recommended for new designs. Device is in production to support existing customers, but TI does not recommend using this part in a new design.

**PREVIEW:** Device has been announced but is not in production. Samples may or may not be available.

**OBSOLETE:** TI has discontinued the production of the device.

(2) Eco Plan - The planned eco-friendly classification: Pb-Free (RoHS), Pb-Free (RoHS Exempt), or Green (RoHS & no Sb/Br) - please check <http://www.ti.com/productcontent> for the latest availability information and additional product content details.

**TBD:** The Pb-Free/Green conversion plan has not been defined.

**Pb-Free (RoHS):** TI's terms "Lead-Free" or "Pb-Free" mean semiconductor products that are compatible with the current RoHS requirements for all 6 substances, including the requirement that lead not exceed 0.1% by weight in homogeneous materials. Where designed to be soldered at high temperatures, TI Pb-Free products are suitable for use in specified lead-free processes.

**Pb-Free (RoHS Exempt):** This component has a RoHS exemption for either 1) lead-based flip-chip solder bumps used between the die and package, or 2) lead-based die adhesive used between the die and leadframe. The component is otherwise considered Pb-Free (RoHS compatible) as defined above.

**Green (RoHS & no Sb/Br):** TI defines "Green" to mean Pb-Free (RoHS compatible), and free of Bromine (Br) and Antimony (Sb) based flame retardants (Br or Sb do not exceed 0.1% by weight in homogeneous material)

(3) MSL, Peak Temp. - The Moisture Sensitivity Level rating according to the JEDEC industry standard classifications, and peak solder temperature.

(4) There may be additional marking, which relates to the logo, the lot trace code information, or the environmental category on the device.

(5) Multiple Device Markings will be inside parentheses. Only one Device Marking contained in parentheses and separated by a "~" will appear on a device. If a line is indented then it is a continuation of the previous line and the two combined represent the entire Device Marking for that device.

(6) Lead/Ball Finish - Orderable Devices may have multiple material finish options. Finish options are separated by a vertical ruled line. Lead/Ball Finish values may wrap to two lines if the finish value exceeds the maximum column width.

**Important Information and Disclaimer:** The information provided on this page represents TI's knowledge and belief as of the date that it is provided. TI bases its knowledge and belief on information provided by third parties, and makes no representation or warranty as to the accuracy of such information. Efforts are underway to better integrate information from third parties. TI has taken and continues to take reasonable steps to provide representative and accurate information but may not have conducted destructive testing or chemical analysis on incoming materials and chemicals. TI and TI suppliers consider certain information to be proprietary, and thus CAS numbers and other limited information may not be available for release.

In no event shall TI's liability arising out of such information exceed the total purchase price of the TI part(s) at issue in this document sold by TI to Customer on an annual basis.

PZ (S-PQFP-G100)

PLASTIC QUAD FLATPACK

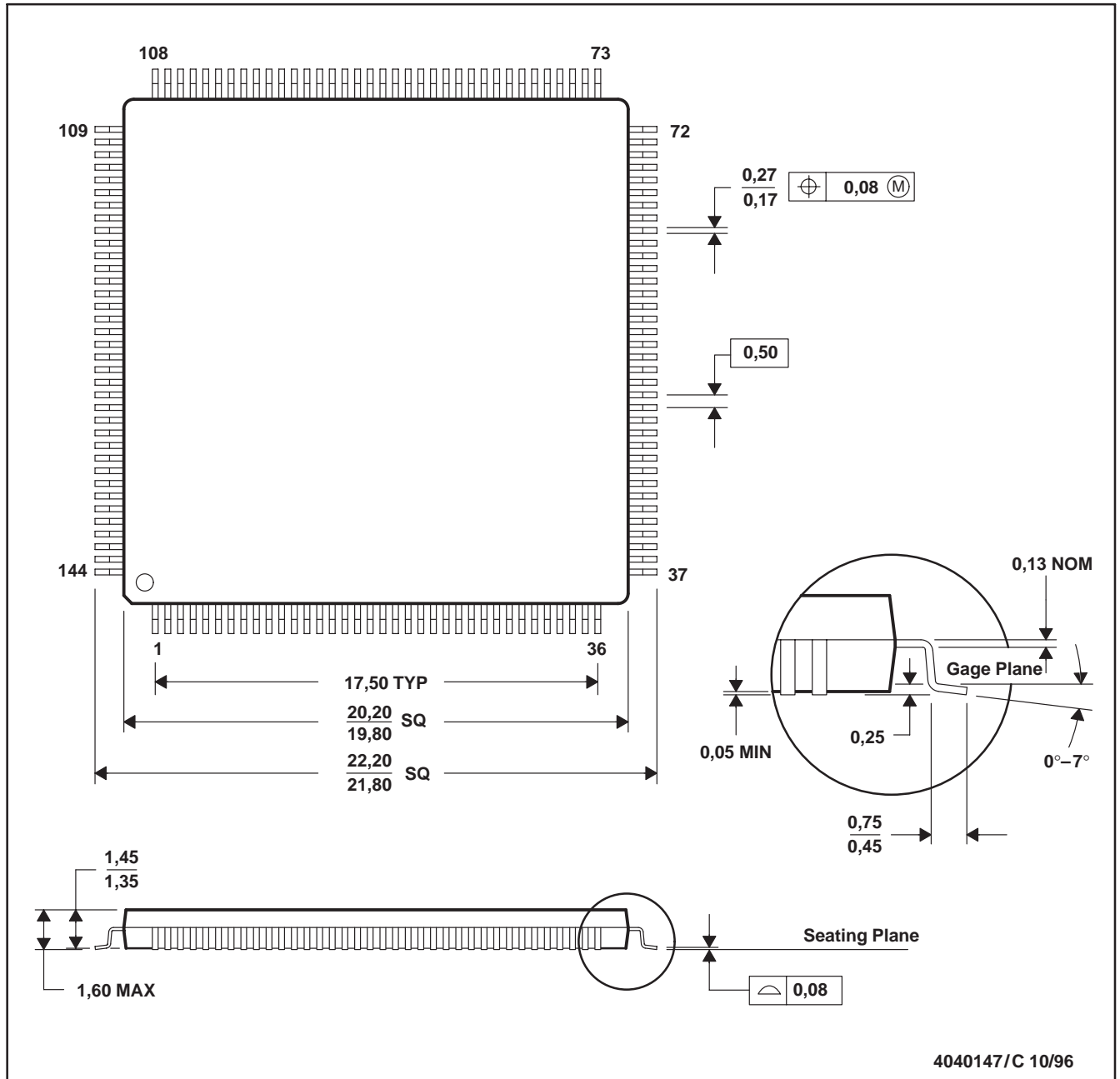


4040149/B 11/96

- NOTES: A. All linear dimensions are in millimeters.  
 B. This drawing is subject to change without notice.  
 C. Falls within JEDEC MS-026

PGE (S-PQFP-G144)

PLASTIC QUAD FLATPACK



- NOTES: A. All linear dimensions are in millimeters.  
 B. This drawing is subject to change without notice.  
 C. Falls within JEDEC MS-026

## IMPORTANT NOTICE

Texas Instruments Incorporated and its subsidiaries (TI) reserve the right to make corrections, enhancements, improvements and other changes to its semiconductor products and services per JESD46, latest issue, and to discontinue any product or service per JESD48, latest issue. Buyers should obtain the latest relevant information before placing orders and should verify that such information is current and complete. All semiconductor products (also referred to herein as "components") are sold subject to TI's terms and conditions of sale supplied at the time of order acknowledgment.

TI warrants performance of its components to the specifications applicable at the time of sale, in accordance with the warranty in TI's terms and conditions of sale of semiconductor products. Testing and other quality control techniques are used to the extent TI deems necessary to support this warranty. Except where mandated by applicable law, testing of all parameters of each component is not necessarily performed.

TI assumes no liability for applications assistance or the design of Buyers' products. Buyers are responsible for their products and applications using TI components. To minimize the risks associated with Buyers' products and applications, Buyers should provide adequate design and operating safeguards.

TI does not warrant or represent that any license, either express or implied, is granted under any patent right, copyright, mask work right, or other intellectual property right relating to any combination, machine, or process in which TI components or services are used. Information published by TI regarding third-party products or services does not constitute a license to use such products or services or a warranty or endorsement thereof. Use of such information may require a license from a third party under the patents or other intellectual property of the third party, or a license from TI under the patents or other intellectual property of TI.

Reproduction of significant portions of TI information in TI data books or data sheets is permissible only if reproduction is without alteration and is accompanied by all associated warranties, conditions, limitations, and notices. TI is not responsible or liable for such altered documentation. Information of third parties may be subject to additional restrictions.

Resale of TI components or services with statements different from or beyond the parameters stated by TI for that component or service voids all express and any implied warranties for the associated TI component or service and is an unfair and deceptive business practice. TI is not responsible or liable for any such statements.

Buyer acknowledges and agrees that it is solely responsible for compliance with all legal, regulatory and safety-related requirements concerning its products, and any use of TI components in its applications, notwithstanding any applications-related information or support that may be provided by TI. Buyer represents and agrees that it has all the necessary expertise to create and implement safeguards which anticipate dangerous consequences of failures, monitor failures and their consequences, lessen the likelihood of failures that might cause harm and take appropriate remedial actions. Buyer will fully indemnify TI and its representatives against any damages arising out of the use of any TI components in safety-critical applications.

In some cases, TI components may be promoted specifically to facilitate safety-related applications. With such components, TI's goal is to help enable customers to design and create their own end-product solutions that meet applicable functional safety standards and requirements. Nonetheless, such components are subject to these terms.

No TI components are authorized for use in FDA Class III (or similar life-critical medical equipment) unless authorized officers of the parties have executed a special agreement specifically governing such use.

Only those TI components which TI has specifically designated as military grade or "enhanced plastic" are designed and intended for use in military/aerospace applications or environments. Buyer acknowledges and agrees that any military or aerospace use of TI components which have **not** been so designated is solely at the Buyer's risk, and that Buyer is solely responsible for compliance with all legal and regulatory requirements in connection with such use.

TI has specifically designated certain components as meeting ISO/TS16949 requirements, mainly for automotive use. In any case of use of non-designated products, TI will not be responsible for any failure to meet ISO/TS16949.

### Products

Audio	<a href="http://www.ti.com/audio">www.ti.com/audio</a>
Amplifiers	<a href="http://amplifier.ti.com">amplifier.ti.com</a>
Data Converters	<a href="http://dataconverter.ti.com">dataconverter.ti.com</a>
DLP® Products	<a href="http://www.dlp.com">www.dlp.com</a>
DSP	<a href="http://dsp.ti.com">dsp.ti.com</a>
Clocks and Timers	<a href="http://www.ti.com/clocks">www.ti.com/clocks</a>
Interface	<a href="http://interface.ti.com">interface.ti.com</a>
Logic	<a href="http://logic.ti.com">logic.ti.com</a>
Power Mgmt	<a href="http://power.ti.com">power.ti.com</a>
Microcontrollers	<a href="http://microcontroller.ti.com">microcontroller.ti.com</a>
RFID	<a href="http://www.ti-rfid.com">www.ti-rfid.com</a>
OMAP Applications Processors	<a href="http://www.ti.com/omap">www.ti.com/omap</a>
Wireless Connectivity	<a href="http://www.ti.com/wirelessconnectivity">www.ti.com/wirelessconnectivity</a>

### Applications

Automotive and Transportation	<a href="http://www.ti.com/automotive">www.ti.com/automotive</a>
Communications and Telecom	<a href="http://www.ti.com/communications">www.ti.com/communications</a>
Computers and Peripherals	<a href="http://www.ti.com/computers">www.ti.com/computers</a>
Consumer Electronics	<a href="http://www.ti.com/consumer-apps">www.ti.com/consumer-apps</a>
Energy and Lighting	<a href="http://www.ti.com/energy">www.ti.com/energy</a>
Industrial	<a href="http://www.ti.com/industrial">www.ti.com/industrial</a>
Medical	<a href="http://www.ti.com/medical">www.ti.com/medical</a>
Security	<a href="http://www.ti.com/security">www.ti.com/security</a>
Space, Avionics and Defense	<a href="http://www.ti.com/space-avionics-defense">www.ti.com/space-avionics-defense</a>
Video and Imaging	<a href="http://www.ti.com/video">www.ti.com/video</a>

### TI E2E Community

[e2e.ti.com](http://e2e.ti.com)